

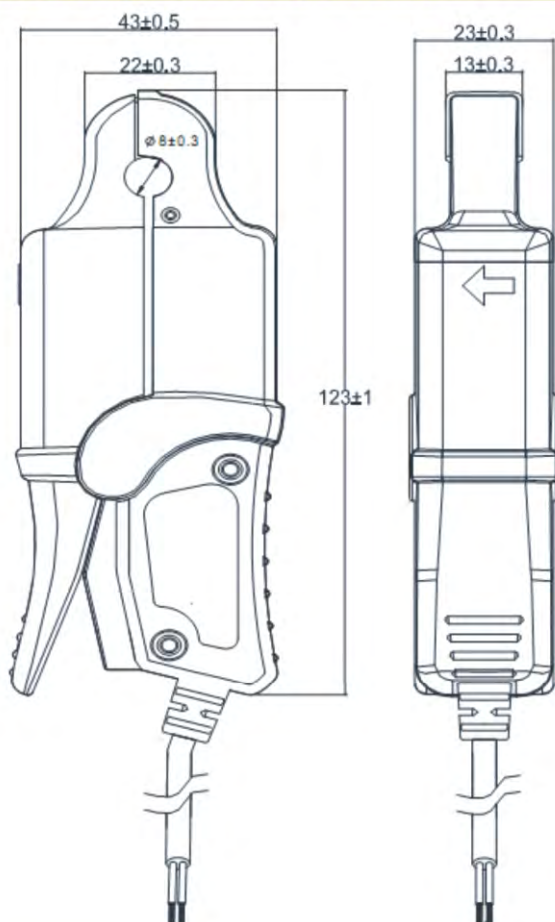
The SCTK08-C series are clamp-on current transformers. The CT can be mounted to existing panels, such as control centers or load centers, to measure or monitor wattage. These CTs can be mounted without removing existing cables for easier installation.



Electrical Specifications

MODEL	INPUT CURRENT	AVAILABLE OUTPUT
SCTK0801-C	1 A	CURRENT OUTPUTS @ 2mA, 2.5mA, 4mA, 5mA, 10mA VOLTAGE OUTPUTS @ 0.25V, 0.33V, 0.5V.
SCTK0802-C	2 A	
SCTK0803-C	3 A	
SCTK0805-C	5 A	
SCTK0810-C	10 A	

Mechanical Dimensions in mm



APPLICATIONS

- Energy and sub-metering products
- Electrical load monitoring
- Network equipment
- Instruments and sensors
- Control systems
- Go GREEN initiatives

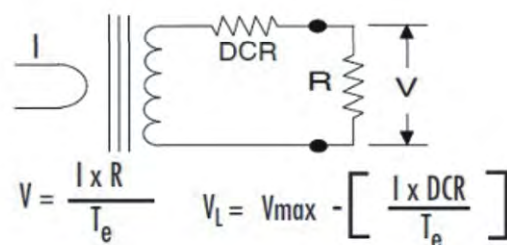
FEATURES

- 0.315" window opening (ID)
- Custom design Turns-Ratio available
- Rigid housing case with UL 94V-0 durable plastic
- 6ft black/white PVC wire leads—26~20AWG
- Approximate weight 250g

SPECIFICATIONS

- Standard Input Current 0.01-10A
- Frequency 50Hz — 400Hz
- Standard accuracy 0.2,0.5
- Insulation Voltage 2500 Vac/1min
- Operating Temp. -40°C to +70°C
- Storage Temp. -45°C to +85 °C
- ANSI C57.13 and C12.20 Standards

Connection Diagram



CAUTION

Before installation, safety precautions must be followed by licensed professional. Never energize primary unless short circuited terminals or burden connected to secondary.

SCTK662 series retro-fit (split-core) current transformer has been specially designed to facilitate their installation in new or already existing net works. They may be installed without opening any cable or bus-bar circuit. An internal precision resistor across the secondary winding of the CT provides a low safe voltage output. It can save time and the installation costs.

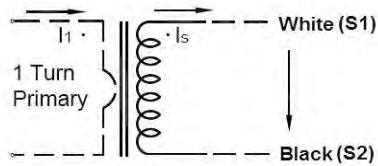
◆ **Features**

- Epoxy Potting, Double-screw fastening, safe, easy to install, portable
- Wide inner window, allowing clamping of big cables or bus-bars
- Wide range of sizes to accommodate all the existing installations

◆ **Applications**

- Current measurement, monitoring and protection for electrical wiring and equipment.
- Current and power measurement for electric motors, lighting, air compressor, heating and ventilation system, air-condition equipment and automation – control system.
- Current, power and energy monitoring device.
- Relay protection device.

◆ **Circuit connection diagram**



◆ **Technique Index**

Electrical Parameter	
Frequency	50-400Hz
Rated Input	5A-3000A
Measuring range	5%In-130%In
Rated Output	0-10V(AC) or 0-5A
Ratio	≤ ± 0.2
Phase angle	≤ ±10min
Dielectric strength	2.5KV/1mA/1min
Insulation Resistance	DC500V/100MΩ min

Mechanical Parameter	
Case	PC /UL94-V0
Bobbin	PBT
Core	Silicon steel
Internal structure	Epoxy
Construction	Tie
Operating Temp	25 75
Operating Humidity	≤85%
Output Connection	UL1015 22AWG Wire(twinsted wire) 2.5m

◆ **Type Selection** Output: mA/V

Mfg P/N	Rated Input (A)	Output (mA/V)	Accuracy	Dimensions(mm/inch)					
				Ø	A	B	C	D	E
SCTK662A-025	5-400A	0-200mA	0.2 0.5 1.0	25	98	70	22	16	30
	(5 100 250 400A)	0-10V		(1.00)	(3.86)	(2.76)	(0.87)	(0.63)	(1.18)
SCTK662B-045	50-1000A	0-500mA	0.2 0.5 1.0	45	128	98	26	16	32
	(50 250 400 1000A)	0-10V		(1.77)	(5.04)	(3.86)	(1.02)	(0.63)	(1.26)
SCTK662C-065	100-1500A	0-500mA	0.2 0.5 1.0	65	148	118	26	16	34
	(100 800 1000 1500A)	0-10V		(2.56)	(5.83)	(4.65)	(1.02)	(0.63)	(1.34)
SCTK662D-080	500-2000A	0-500mA	0.2 0.5 1.0	80	164	132	28	16	36
	(500 1000 1500 2000A)	0-10V		(3.15)	(6.46)	(5.20)	(1.10)	(0.63)	(1.42)
SCTK662E-100	800-3000A	0-600mA	0.2 0.5 1.0	100	194	162	30	16	38
	(800 1000 2500 3000A)	0-10V		(3.94)	(7.64)	(6.38)	(1.18)	(0.63)	(1.50)

SCTK663 series retro-fit (split-core) current transformer has been specially designed to facilitate their installation in new or already existing net works. They may be installed without opening any cable or bus-bar circuit. An internal precision resistor across the secondary winding of the CT provides a low safe voltage output. It can save time and the installation costs.

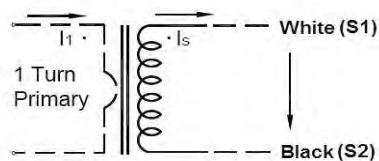
◆ **Features**

- Epoxy Potting, Double-screw fastening, safe, easy to install, portable
- Wide inner window, allowing clamping of big cables or bus-bars
- Wide range of sizes to accommodate all the existing installations

◆ **Applications**

- Current measurement, monitoring and protection for electrical wiring and equipment.
- Current and power measurement for electric motors, lighting, air compressor, heating and ventilation system, air-condition equipment and automation – control system.
- Current, power and energy monitoring device.
- Relay protection device.

◆ **Circuit connection diagram**



◆ **Technique Index**



Electrical Parameter	
Frequency	50-400Hz
Rated Input	5A-1000A
Measuring range	5%In-130%In
Rated Output	0-10V(AC) or 0-5A
Ratio	≤ ± 0.2
Phase angle	≤ ±10min
Dielectric strength	2.5KV/1mA/1min
Insulation Resistance	DC500V/100MΩ min

Mechanical Parameter	
Case	PC /UL94-V0
Bobbin	PBT
Core	Silicon steel
Internal structure	Epoxy
Construction	Tie
Operating Temp	25 75
Operating Humidity	≤85%
Output Connection	UL1015 22AWG Wire(twinsted wire) 2.5m

◆ **Type Selection** Output: mA/V

Mfg P/N	Rated Input (A)	Output (mA/V)	Accuracy	Dimensions(mm/inch)					
				Ø	A	B	C	D	E
SCTK663A-025	5-400A	0-200mA	0.2 0.5 1.0	25	118	90	42	16	32
	(5 100 250 400A)	0-10V		(1.00)	(4.65)	(3.54)	(1.65)	(0.63)	(1.26)
SCTK663B-045	50-1000A	0-500mA	0.2 0.5 1.0	45	145	113	42	16	32
	(50 250 400 1000A)	0-10V		(1.77)	(5.71)	(4.45)	(1.65)	(0.63)	(1.26)

SCTK667B series retro-fit (split-core) current transformer has been specially designed to facilitate their installation in new or already existing net works. They may be installed without opening any cable or bus-bar circuit. An internal precision resistor across the secondary winding of the CT provides a low safe voltage output. It can save time and the installation costs.

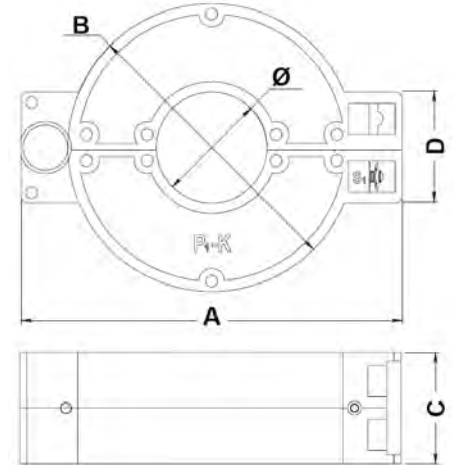
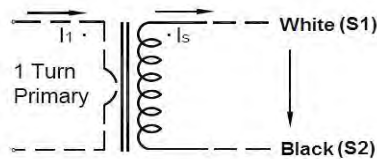
◆ **Features**

- Epoxy Potting, Double-screw fastening, safe, easy to install, portable
- Wide inner window, allowing clamping of big cables or bus-bars
- Wide range of sizes to accommodate all the existing installations

◆ **Applications**

- Current measurement, monitoring and protection for electrical wiring and equipment.
- Current and power measurement for electric motors, lighting, air compressor, heating and ventilation system, air-condition equipment and automation – control system.
- Current, power and energy monitoring device.
- Relay protection device.

◆ **Circuit connection diagram**



◆ **Technique Index**

Electrical Parameter	
Frequency	50-400Hz
Rated Input	5A-3000A
Measuring range	5%In-130%In
Rated Output	0-10V(AC) or 0-5A
Ratio	$\leq \pm 0.1$
Phase angle	$\leq \pm 5\text{min}$
Dielectric strength	3.0KV/1mA/1min
Insulation Resistance	DC500V/100MΩ min

Mechanical Parameter	
Case	ABS /UL94-V0
Bobbin	PBT
Core	Silicon steel
Internal structure	Epoxy
Construction	Tie
Operating Temp	25 75
Operating Humidity	$\leq 85\%$
Output Connection	Terminal

◆ **Type Selection** Output: A/V/mA

P/N	Rated Input (A)	Output (A/V/mA)	Accuracy	Dimensions(mm)				
				Ø				
SCTK667B-025	0-400A	1A/5A 0-10V 0-500mA	0.1 0.2 0.5 1.0	25	100	70	33	32
SCTK667B-032	0-630A			32	110	83	33	32
SCTK667B-055	0-1500A			55	134	106	33	32
SCTK667B-080	0-2000A			80	168	139	33	32
SCTK667B-100	0-3000A			102	198	168	33	32

Split Core Current Transformers

SCTK667C Series



SCTK667C series retro-fit (split-core) current transformer has been specially designed to facilitate their installation in new or already existing net works. They may be installed without opening any cable or bus-bar circuit. An internal precision resistor across the secondary winding of the CT provides a low safe voltage output. It can save time and the installation costs.

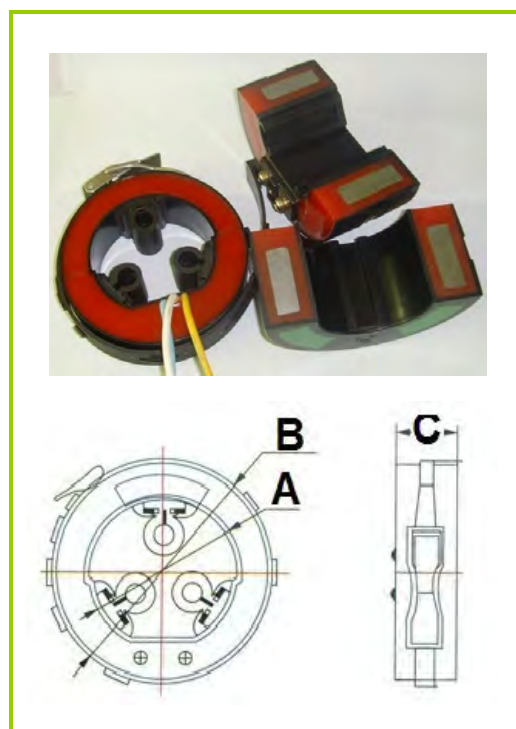
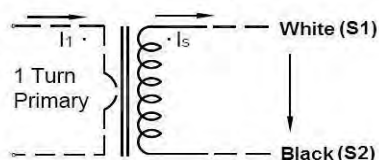
Features

- Epoxy Potting, Double-screw fastening, safe, easy to install, portable
- Wide inner window, allowing clamping of big cables or bus-bars
- Wide range of sizes to accommodate all the existing installations

Applications

- Current measurement, monitoring and protection for electrical wiring and equipment.
- Current and power measurement for electric motors, lighting, air compressor, heating and ventilation system, air-condition equipment and automation – control system.
- Current, power and energy monitoring device.
- Relay protection device.

Circuit connection diagram



Technique Index

Electrical Parameter	
Frequency	50-500Hz
Rated Input	5A-3000A
Measuring range	5%In-130%In
Rated Output	0-10V(AC) or 0-5A
Ratio	$\leq \pm 0.2\%$
Phase angle	$\leq \pm 10\text{min}$
Dielectric strength	5.0KV/1mA/1min
Insulation Resistance	DC500V/100M Ω min

Mechanical Parameter	
Case	PC /UL94-V0
Bobbin	PBT
Core	Silicon steel
Internal structure	Epoxy
Construction	Tie
Operating Temp	$-25^{\circ}\text{C} \sim +75^{\circ}\text{C}$
Operating Humidity	$\leq 85\%$
Output Connection	UL1015 22AWG Wire(twinsted wire) 1.0m

Type Selection (Output: mA/V)

P/N	Rated Input (A)	Output (A)	Accuracy	Dimensions(mm)		
				A	B	C
SCTK667C-6432	0-1200A	1A/5A	0.2, 0.5, 1.0	64	104	32
SCTK667C-5052	0-1000A	1A/5A		50	110	52
SCTK667C-50105	0-1000A	1A/5A		50	110	105
SCTK667C-9632	0-2000A	1A/5A		96	130	32
SCTK667C-5550	0-1000A	1A/5A		55	86	50

ShaanXi Shinhom Enterprise Co.,Ltd

Tel: +86-029-87851838 Fax: +86-029-87851840

Web: [Http://www.shinhom.com](http://www.shinhom.com) Mail: sales@shinhom.com.cn

SCTK671 series retro-fit (split-core) current transformer has been specially designed to facilitate their installation in new or already existing net works. They may be installed without opening any cable or bus-bar circuit. An internal precision resistor across the secondary winding of the CT provides a low safe voltage output. It can save time and the installation costs.

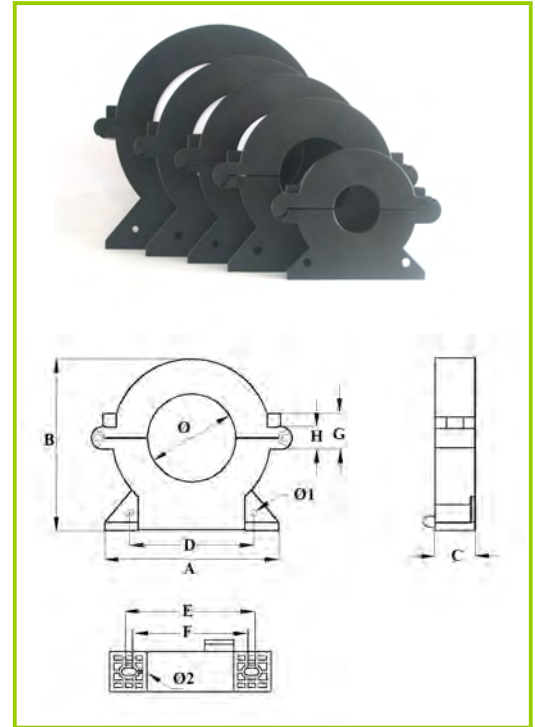
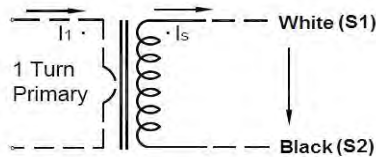
◆ **Features**

- Epoxy Potting, Double-screw fastening, safe, easy to install, portable
- Wide inner window, allowing clamping of big cables or bus-bars
- Wide range of sizes to accommodate all the existing installations

◆ **Applications**

- Current measurement, monitoring and protection for electrical wiring and equipment.
- Current and power measurement for electric motors, lighting, air compressor, heating and ventilation system, air-condition equipment and automation – control system.
- Current, power and energy monitoring device.
- Relay protection device.

◆ **Circuit connection diagram**



◆ **Technique Index**

Electrical Parameter	
Frequency	50-400Hz
Rated Input	5A-3000A
Measuring range	5%In-130%In
Rated Output	0-10V(AC) or 0-5A
Ratio	≤ ± 0.2
Phase angle	≤ ±10min
Dielectric strength	2.5KV/1mA/1min
Insulation Resistance	DC500V/100MΩ min

Mechanical Parameter	
Case	PC /UL94-V0
Bobbin	PBT
Core	Silicon steel
Internal structure	Epoxy
Construction	Tie
Operating Temp	25 75
Operating Humidity	≤85%
Output Connection	UL1015 22AWG Wire(twinsted wire) 2.5m

◆ **Type Selection** Output: mA/V

Mfg P/N	Rated Input (A)	Output (mA/V)	Accuracy	Dimensions(mm/inch)										
				Ø								Ø	Ø	
SCTK671A-025 SCTK671B-045 SCTK671C-065 SCTK671D-080 SCTK671E-100	5-400A (5 100 400A)	0-200mA 0-10V	0.2 0.5 1.0	25	80	75	22	56	73	53	21	17	5	5
	50-1000A (50 400 1000A)	0-500mA 0-10V		45	108	107	26	71	100	74	24	13	5	5
	100-1500A (100 1000 1500A)	0-500mA 0-10V		65	128	127	26	91	120	94	27	17	5	5
	500-2000A (500 1500 2000A)	0-500mA 0-10V		80	144	144	28	97	134	104	27	17	5	5
	800-3000A (800 2500 3000A)	0-600mA 0-10V		100	174	174	30	126	162	120	27	17	5	5

SCTK673 series retro-fit (split-core) current transformer has been specially designed to facilitate their installation in new or already existing net works. They may be installed without opening any cable or bus-bar circuit. An internal precision resistor across the secondary winding of the CT provides a low safe voltage output. It can save time and the installation costs.

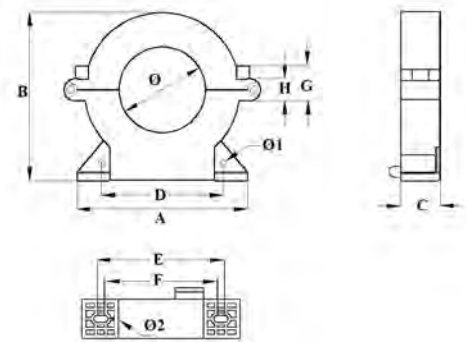
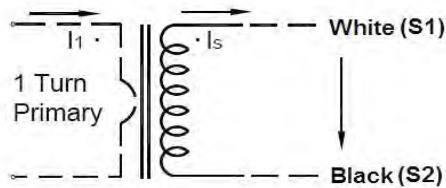
◆ **Features**

- Epoxy Potting, Double-screw fastening, safe, easy to install, portable
- Wide inner window, allowing clamping of big cables or bus-bars
- Wide range of sizes to accommodate all the existing installations

◆ **Applications**

- Current measurement, monitoring and protection for electrical wiring and equipment.
- Current and power measurement for electric motors, lighting, air compressor, heating and ventilation system, air-condition equipment and automation – control system.
- Current, power and energy monitoring device.
- Relay protection device.

◆ **Circuit connection diagram**



◆ **Technique Index**

Electrical Parameter	
Frequency	50-400Hz
Rated Input	5A-1000A
Measuring range	5%In-130%In
Rated Output	0-10V(AC) or 0-5A
Ratio	$\leq \pm 0.2$
Phase angle	$\leq \pm 10\text{min}$
Dielectric strength	2.5KV/1mA/1min
Insulation Resistance	DC500V/100MΩ min

Mechanical Parameter	
Case	PC /UL94-V0
Bobbin	PBT
Core	Silicon steel
Internal structure	Epoxy
Construction	Tie
Operating Temp	25 75
Operating Humidity	$\leq 85\%$
Output Connection	UL1015 22AWG Wire(twinsted wire) 2.5m

◆ **Type Selection** Output: mA/V

Mfg P/N	Rated Input (A)	Output (mA/V)	Accuracy	Dimensions(mm/inch)									
				Ø	A	B	C	D	E	F	G	Ø1	Ø2
SCTK673A-025	5-400A	0-200mA	0.2 0.5 1.0	25	100	100	42	60	87	72	22	16	5
	(5 100 250 400A)	0-10V		(1.0)	(3.9)	(3.9)	(1.7)	(2.4)	(3.4)	(2.8)	(0.9)	(0.6)	(0.2)
SCTK673B-045	50-1000A	0-500mA	0.2 0.5 1.0	45	123	123	42	80	109	94	23	16	5
	(50 250 400 1000A)	0-10V		(1.8)	(4.8)	(4.8)	(1.7)	(3.1)	(4.3)	(3.7)	(0.9)	(0.6)	(0.2)

ShaanXi Shinhom Enterprise Co.,Ltd

Tel: +86-029-87851838 Fax: +86-029-87851840

Web: <http://www.shinhom.com> Mail: sales@shinhom.com.cn

SCTK681B series retro-fit (split-core) current transformer has been specially designed to facilitate their installation in new or already existing net works. They may be installed without opening any cable or bus-bar circuit. An internal precision resistor across the secondary winding of the CT provides a low safe voltage output. It can save time and the installation costs.

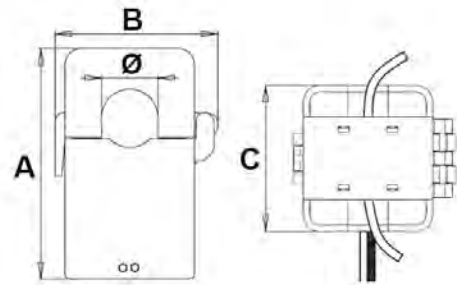
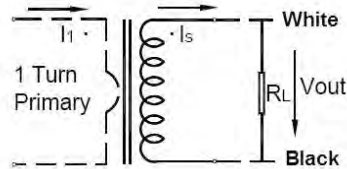
◆ **Features**

- The structure of the self-locking, safe, easy to install, portable
- Wide inner window, allowing clamping of big cables or bus-bars
- Wide range of sizes to accommodate all the existing installations

◆ **Applications**

- Current measurement, monitoring and protection for electrical wiring and equipment.
- Current and power measurement for electric motors, lighting, air compressor, heating and ventilation system, air-condition equipment and automation – control system.
- Current, power and energy monitoring device.
- Relay protection device.

◆ **Circuit connection diagram**



◆ **Technique Index**

Electrical Parameter	
Frequency	50-2KHz
Rated Input	5A-630A
Measuring range	10%In-130%In
Rated Output	0.333V(AC) or 0-500mA
Ratio	± 1.0
Phase angle	≤ ±60min
Dielectric strength	2.5KV/1mA/1min
Insulation Resistance	DC500V/100MΩ min

Mechanical Parameter	
Case	PA /UL94-V0
Bobbin	PBT
Core	Permalloy
Internal structure	Epoxy
Construction	Tie
Operating Temp	25 75
Operating Humidity	≤85%
Output Connection	UL1015 20AWG Wire(twisted wire) 2.5m

◆ **Type Selection Output: mA/V**

Mfg P/N	Rated Input (A)	Output (mA/V)	Accuracy	Dimensions(mm/inch)			
				Ø	A	B	C
SCTK681B-010	5-75A	0-50mA	0.5 1.0 3.0	10.0	41.5	30.0	26.5
	(5 10 20 50 75)	0.333V		(0.39)	(1.63)	(1.18)	(1.04)
SCTK681B-016	5-150A	0-100mA	0.5 1.0 3.0	16.0	53.0	36.0	30.5
	(5 10 50 100 150)	0.333V		(0.63)	(2.09)	(1.42)	(1.20)
SCTK681B-024	10-250A	0-200mA	0.5 1.0 3.0	24.0	70.0	51.5	39.0
	(10 50 100 200 250)	0.333V		(0.95)	(2.76)	(2.03)	(1.50)
SCTK681B-035	10-630A	0-500mA	0.5 1.0 3.0	35.0	84.0	65.0	41.0
	(20 100 250 400 600)	0.333V		(1.38)	(3.31)	(2.56)	(1.61)

ShaanXi Shinhom Enterprise Co.,Ltd

Tel: +86-029-87851838 Fax: +86-029-87851840

Web: <http://www.shinhom.com> Mail: sales@shinhom.com.cn

Product Specification

Date:2015-8-7

Product Name	Current transformer	Model	SCTK681C-013
--------------	---------------------	-------	--------------

Characteristics: Opening size 13mm*13mm, 1m leading wire, standard 3.5 three-core plug output.

Purpose Used for current measurement, monitor and protection for AC motor, lighting equipment, air compressor etc.

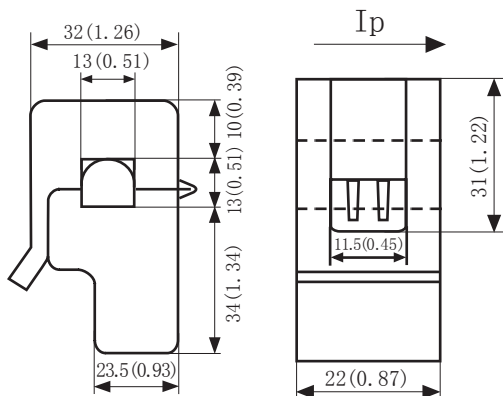
Technical Data

I_{PN}	Rated input	0-60A
I_{PM}	Max. detection input	
I_{OUT}	Rated output	0-1V
X	Accuracy	$\pm 1\%$
ϵ_L	Linearity	$\leq 0.2\%$
N	Turns ratio	1:1800
Φ	Phase shift	
R_L	Max. Sampling resistance	
V_{PN}	Work voltage	660V
f	Work frequency	50-1KHz
T_A	Operating temperature	-25..+70°C
T_S	Storage temperature	-40..+85°C
Vd	Dielectric strength, 50 Hz, 1 min	3KV



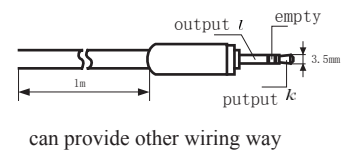
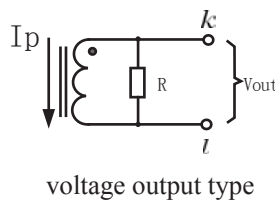
Fire resistance	UL94-V0
Material of core	Ferrite
Mounting type	Suspension
Weight	55g

Dimension (mm(in). 1 mm= 0.0394 inch)



Front view

Side view



Standard three-core plugs
schematic diagram

SCTK691/2 series retro-fit (Clamp-on) current transformer has been specially designed to facilitate their installation in new or already existing net works. They may be installed without opening any cable or bus-bar circuit. An internal precision resistor across the secondary winding of the CT provides a low safe voltage output. It can save time and the installation costs.

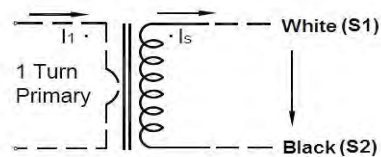
◆ **Features**

- Clamp on design, Fastening, safe, easy to install, portable
- Wide inner window, allowing clamping of big cables or bus-bars
- Wide range of sizes to accommodate all the existing installations

◆ **Applications**

- Current measurement, monitoring and protection for electrical wiring and equipment.
- Current and power measurement for electric motors, lighting, air compressor, heating and ventilation system, air-condition equipment and automation – control system.
- Current, power and energy monitoring device.
- Relay protection device.

◆ **Circuit connection diagram**



◆ **Technique Index**

Electrical Parameter	
Frequency	50-400Hz
Rated Input	5A-3000A
Measuring range	5%In-130%In
Rated Output	0-10V(AC) or 0-5A
Ratio	≤ ± 0.1
Phase angle	≤ ±10min
Dielectric strength	3.0KV/1mA/1min
Insulation Resistance	DC500V/100MΩ min

Mechanical Parameter	
Case	ABS /UL94-V0
Bobbin	PBT
Core	Silicon steel / Permalloy
Internal structure	Screw
Construction	Screw
Operating Temp	25 75
Operating Humidity	≤85%
Output Connection	UL1015 22AWG Wire(twinsted wire) 2.5m

◆ **Type Selection**

Mfg P/N	Rated Input	Ratio	Accuracy	Dimensions(mm) (ID-L-W-H)
SCTK691A-008	0-20A	1000 1	0.1 0.2 0.5	8.0-135.0-42.0-20.0
SCTK691A-013	0-100A		0.1 0.2 0.5	13.0-137.0-42.0-25.0
SCTK691A-020	5-250A	2000 1	0.1 0.2 0.5	20.0-137.0-46.0-25.0
SCTK691A-050	100-1200A	2500 1	0.1 0.2 0.5	50.0-215.0-104.0-27.0
SCTK692A-085	100-1500A	4000 1	0.1 0.2 0.5	82.0*52.0-272.0-116.0-37.0
SCTK692A-125	100-3000A		0.1 0.2 0.5	125.0*52.0-327.0-116.0-37.0

SCTK691C series retro-fit (split-core) current transformer has been specially designed to facilitate their installation in new or already existing net works. They may be installed without opening any cable or bus-bar circuit. An internal precision resistor across the secondary winding of the CT provides a low safe voltage output. It can save time and the installation costs.

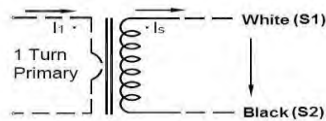
Features

- The structure of the self-locking, safe, easy to install, portable
- Wide inner window, allowing clamping of big cables or bus-bars
- Wide range of sizes to accommodate all the existing installations

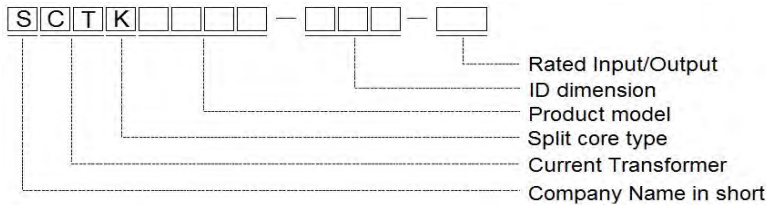
Applications

- Current measurement, monitoring and protection for electrical wiring and equipment.
- Current and power measurement for electric motors, lighting, air compressor, heating and ventilation system, air-condition equipment and automation – control system.
- Current, power and energy monitoring device.

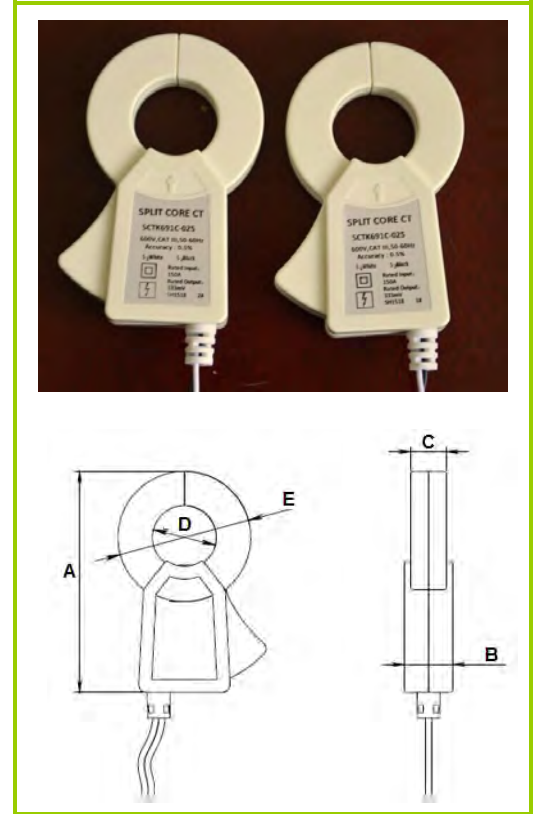
Circuit connection diagram



Designation



Technique Index



Electrical Parameter	
Frequency	50-2.5KHz
Rated Input	0.5A-630A
Measuring range	10%In-130%In
Rated Output	0.333V(AC) or 0-5A
Ratio	$\pm 0.2\%$
Phase angle	$\leq \pm 10\text{min}$
Dielectric strength	5.0KV/1mA/1min
Insulation Resistance	DC500V/100MΩ min

Mechanical Parameter	
Case	PC/UL94-V0
Bobbin	PBT
Core	Permalloy
Internal structure	Epoxy
Construction	Tie
Operating Temp	$-25^{\circ}\text{C} \sim +75^{\circ}\text{C}$
Operating Humidity	$\leq 85\%$
Output Connection	Terminal or UL1015 22AWG Wire 1.5m

Type Selection

P/N	Rated Input (A)	Output (mA/V)	Accuracy	Dimensions(mm)				
				A	B	C	D	E
SCTK691C-010	0.5-100A	0.333V/0-50mA	0.2、0.5、1.0	63.0	25.0	20.0	10.0	37.0
SCTK691C-016	1-250A	0.333V/0-100mA	0.2、0.5、1.0	71.0	20.0	15.0	16.0	43.0
SCTK691C-025	5-400A	0.333V/0-200mA	0.2、0.5、1.0	87.0	20.0	15.0	25.0	52.0
SCTK691C-036	5-630A	0.333V/0-200mA/1A	0.2、0.5、1.0	117.0	27.0	22.0	35.0	71.0
SCTK691C-050	5-1000A	0.333V/0-500mA/1A/5A	0.2、0.5、1.0	135.0	27.0	22.0	50.0	100.0

SCTK731 series retro-fit (split-core) current transformer has been specially designed to facilitate their installation in new or already existing net works. They may be installed without opening any cable or bus-bar circuit. An internal precision resistor across the secondary winding of the CT provides a low safe voltage output. It can save time and the installation costs.

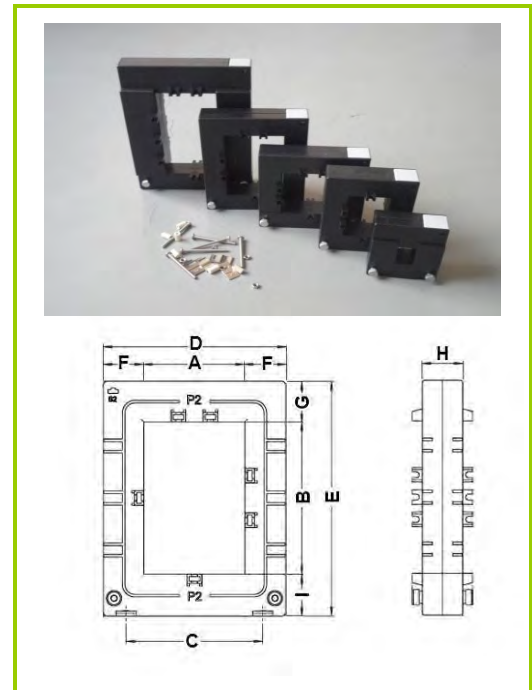
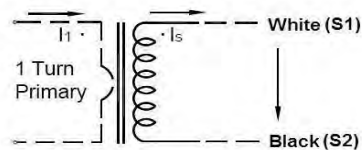
Features

- Double-screw fastening, safe, easy to install, portable
- Wide inner window, allowing clamping of big cables or bus-bars
- Wide range of sizes to accommodate all the existing installations

Applications

- Current measurement, monitoring and protection for electrical wiring and equipment.
- Current and power measurement for electric motors, lighting, air compressor, heating and ventilation system, air-condition equipment and automation – control system.
- Current, power and energy monitoring device.
- Relay protection device.

Circuit connection diagram



Technique Index

Electrical Parameter	
Frequency	50-400Hz
Rated Input	5A-5000A
Measuring range	5%In-130%In
Rated Output	0-5A
Ratio	$\leq \pm 0.5\%$
Phase angle	$\leq \pm 30\text{min}$
Dielectric strength	2.5KV/1mA/1min
Insulation Resistance	DC500V/100MΩ min

Mechanical Parameter	
Case	PC /UL94-V0
Bobbin	PC
Core	Silicon steel
Internal structure	Epoxy
Construction	Screw
Operating Temp	$-25^{\circ}\text{C} \sim +75^{\circ}\text{C}$
Operating Humidity	$\leq 85\%$
Output Connection	Terminal

Type Selection (Output: 1A/5A)

Mfg P/N	Rated Input (A)	Output (A)	Accuracy	Dimensions(mm)								
				A	B	C	D	E	F	G	H	I
SCTK731A(23)	100-400A	1A/5A	0.5, 1.0, 3.0	20	30	50	88	104	34	41	40	31
SCTK731B(58)	250-1000A	1A/5A	0.5, 1.0, 3.0	50	80	78	114	145	32	32	33	33
SCTK731C(88)	250-1000A	1A/5A	0.5, 1.0, 3.0	80	80	108	144	145	32	32	33	33
SCTK731D(812)	500-1500A	1A/5A	0.5, 1.0, 3.0	80	120	108	144	185	32	32	33	33
SCTK731E(814)	600-5000A	1A/5A	0.5, 1.0, 3.0	80	140	122	176	228	47	47	53	38
SCTK731F(816)	800-5000A	1A/5A	0.5, 1.0, 3.0	80	160	120	176	246	48	48	53	38
SCTK731G(36)	100-3000A	1A/5A	0.5, 1.0, 3.0	30	60	88	132	131	49	36	55	43
SCTK731H(513)	100-4000A	1A/5A	0.5, 1.0, 3.0	55	130	80	125	195	35	30	53	35

SCTK732A-650	0-1600A	1A/5A/0.333	0.2 0.5 1.0	63	52	95	124	64	78	13	2	28	44
SCTK732A-850	0-2000A	1A/5A/0.333	0.2 0.5 1.0	83	52	115	124	64	78	13	2	28	44
SCTK732A-1050	0-2500A	1A/5A/0.333	0.2 0.5 1.0	103	52	135	124	64	78	13	2	28	44
SCTK732A-1250	0-2500A	1A/5A/0.333	0.2 0.5 1.0	123	52	155	124	64	78	13	2	28	44
SCTK732A-1350	0-2500A	1A/5A/0.333	0.2 0.5 1.0	133	52	165	124	64	78	13	2	28	44

SCTK751 series retro-fit (split-core) current transformer has been specially designed to facilitate their installation in new or already existing net works. They may be installed without opening any cable or bus-bar circuit. An internal precision resistor across the secondary winding of the CT provides a low safe voltage output. It can save time and the installation costs.

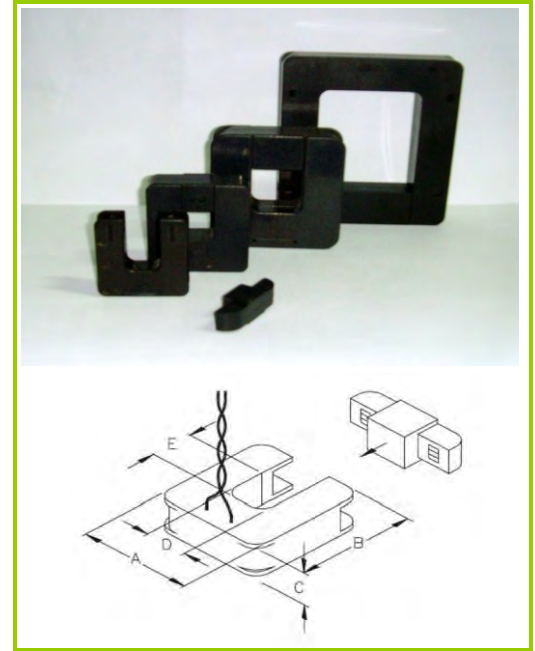
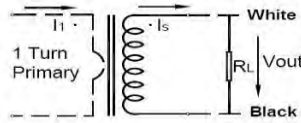
Features

- Split core design, safe, easy to install, portable
- Wide inner window, allowing clamping of big cables or bus-bars
- Wide range of sizes to accommodate all the existing installations

Applications

- Current measurement, monitoring and protection for electrical wiring and equipment.
- Current and power measurement for electric motors, lighting, air compressor, heating and ventilation system, air-condition equipment and automation – control system.
- Current, power and energy monitoring device.
- Relay protection device.

Circuit connection diagram



Technique Index

Electrical Parameter	
Frequency	50-60Hz
Rated Input	5A-5000A
Measuring range	10%In-130%In
Rated Output	0.333V(AC) or 0-500mA
Ratio	± 1.0%
Phase angle	≤ ±90min
Dielectric strength	2.5KV/1mA/1min
Insulation Resistance	DC500V/100MΩ min

Mechanical Parameter	
Case	PC /UL94-V0
Bobbin	PBT
Core	Permalloy
Internal structure	Epoxy
Construction	Tie
Operating Temp	-25°C ~ +75°C
Operating Humidity	≤85%
Output Connection	UL1015 22AWG Wire(twisted wire) 2.0m

Type Selection

Mfg P/N	Rated Input (A)	Output (mA/V)	Accuracy	Dimensions(mm/inch)				
				A	B	C	D	E
SCTK751A	5-200A (5, 10, 30, 50, 75, 100, 125, 150, 200)	0-13.3mA 0.333V	1.0	50.8 (2.00)	53.3 (2.09)	15.0 (0.59)	19.1 (0.75)	19.1 (0.75)
SCTK751B	10-400A (10, 50, 75, 150, 200, 250, 300, 400)	0-26.6mA 0.333V	1.0	59.6 (2.35)	62.7 (2.47)	21.0 (0.83)	19.1 (0.75)	19.1 (0.75)
SCTK751C	50-630A (50, 100, 125, 200, 250, 400, 600, 630)	0-66.6mA 0.333V	1.0	82.5 (3.25)	85.1 (3.35)	25.6 (1.01)	31.8 (1.25)	31.8 (1.25)
SCTK751D	100-2000A (100, 250, 400, 630, 800A, 1000, 2000)	0-200mA 0.333V	1.0	121.0 (4.76)	127.0 (5.00)	30.4 (1.19)	50.8 (2.00)	50.8 (2.00)
SCTK751E	200-3000A (200, 250, 400, 630, 1500, 2500, 3000)	0-300mA 0.333V	1.0	118.0 (4.65)	133.0 (5.24)	24.0 (0.94)	68.0 (2.68)	80.0 (3.15)
SCTK751F	400-5000A (400, 800, 1000, 1500, 2000, 3000, 5000)	0-500mA 0.333V	1.0	146.0 (5.75)	190.5 (7.50)	35.6 (1.40)	76.2 (3.00)	127.0 (5.00)