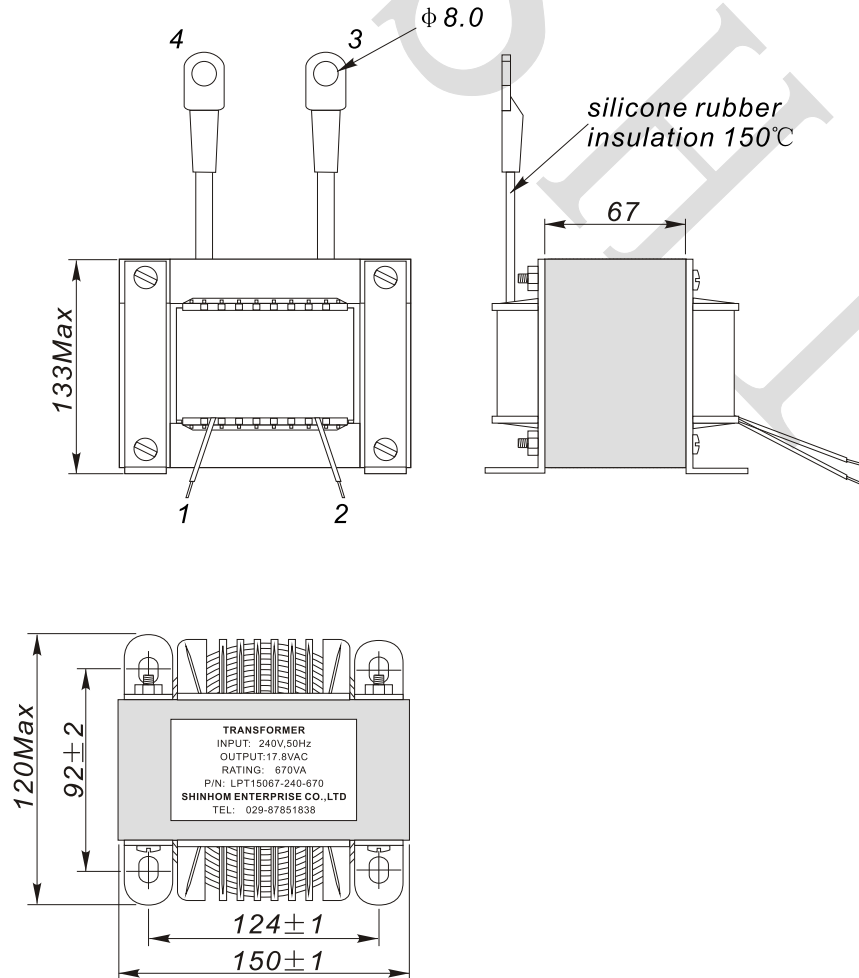
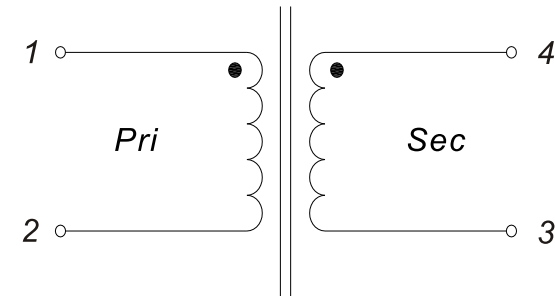


## 1. PHYSICAL CHARACTERISTICS (mm)



## 2. ELECTRONICAL SCHEMATIC



## 3. ELECTRONICAL SPECIFICATIONS

Pri voltage: 240V

Sec voltage: 17.8V +0.2V/-0.5V@37.62A

Sec Rating: 670VA Min

Sec voltage regulation: >95%

Operating frequency: 50Hz

### NOTES:

Temp 20°C 48%RH  
RoHS Compliant

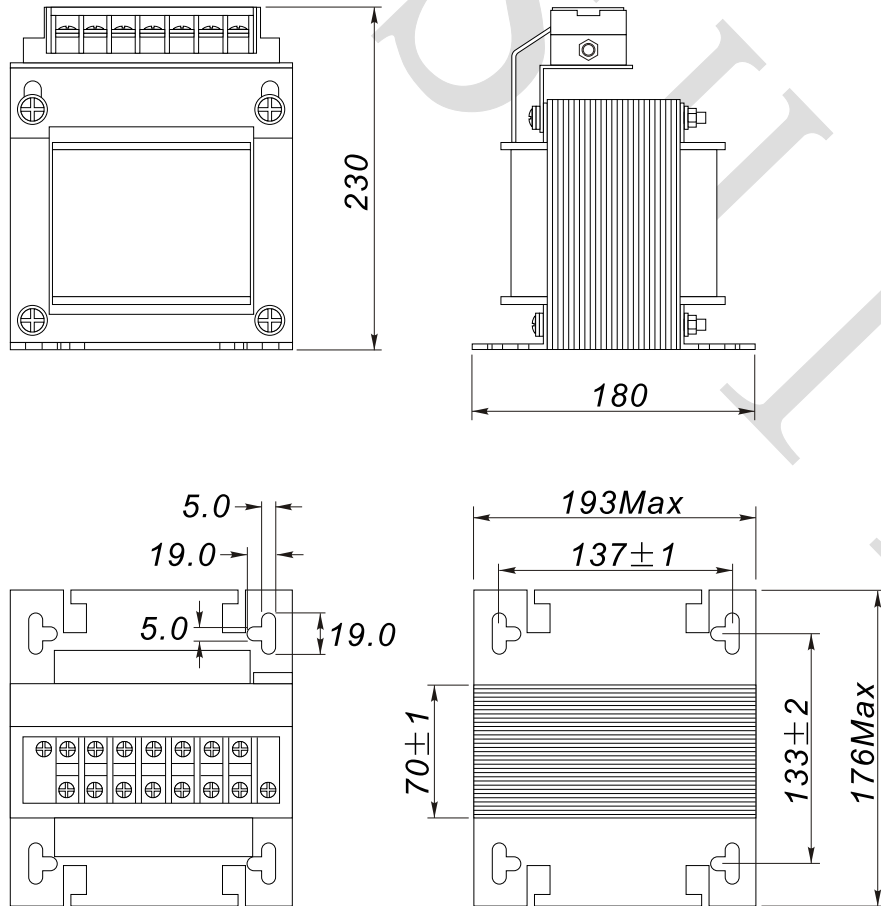
NAME:	linear power transformer		
CUSTOMER P/N:		DATE:	2011-08-22
SHINHOM P/N:	LPT15067-240-670	REV: A0	PAGE
DRAWN BY	CHECKED BY	APPROVE BY	



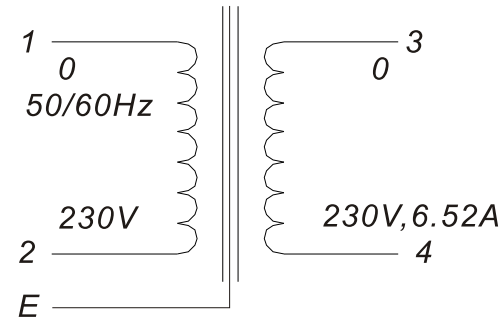
**SHINHOM**  
SHAANXISHINHOM ENTERPRISE CO LTD

The Document property belong to SHINHOM & is not allowed to be duplicated without authorization

### 1. PHYSICAL CHARACTERISTICS (mm)



### 2. ELECTRONICAL SCHEMATIC



### 3. ELECTRONICAL SPECIFICATIONS

Pri rated voltage: 230 VAC 50/60 Hz

Sec rated voltage: 230 V±5%

Sec no load voltage: 237V±5%

Exciting current: 650mA Max@ Input 230V,50Hz

Hi-Pot test: AC 1.5kV 50Hz for 60S

between Primary to core & secondary

AC 0.83kV 50Hz for 60S between secondary to core

Insulation test: DC500V10MO min

Between winding and between winding & core

Insulation class: Class B(130°C)

#### NOTES:

Temp 20°C 48%RH

RoHS Compliant

NAME:	Transformer		
CUSTOMER P/N:		DATE:	2013-04-12
SHINHOM P/N:	LPT19270-1500	REV: A0	PAGE
DRAWN BY	CHECKED BY	APPROVE BY	

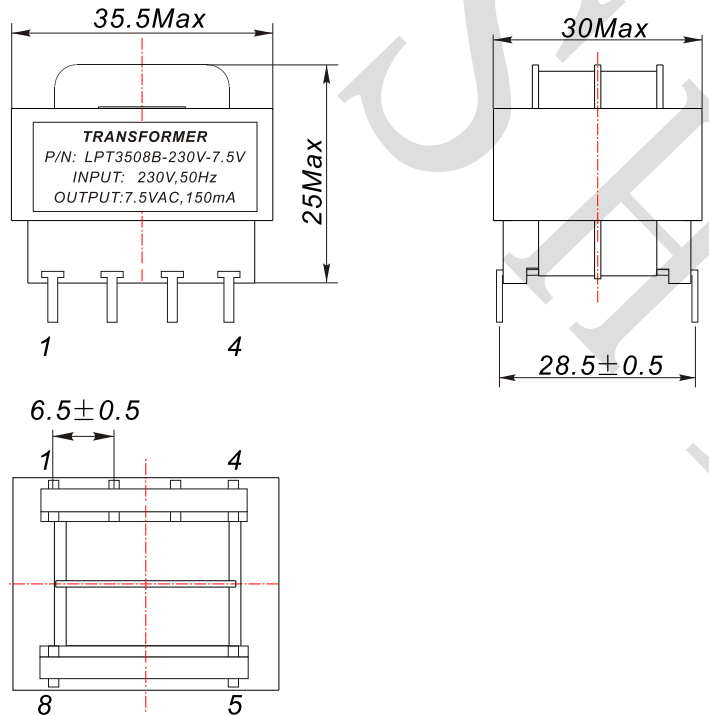


# SHINHOM

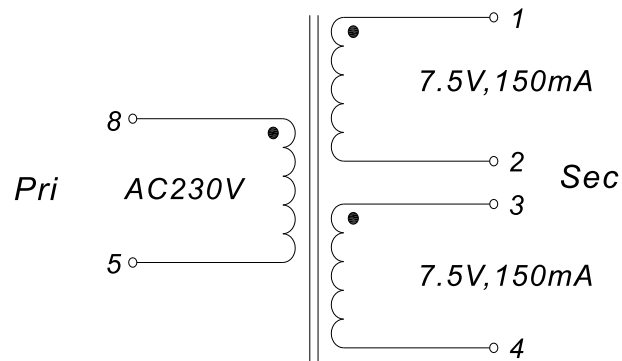
SHAANXISHINHOM ENTERPRISE CO LTD

TEL:+86-029-87851838  
 FAX:+86-029-87851840  
 ZIP:710054  
 Http://www.shinhom.com  
 E-mail:shinhom@globalsources.com  
 sales@shinhom.com.cn  
 NO. 8. Yanta Northern Road, Xi'an ShaanxiPro. China

### 1. PHYSICAL CHARACTERISTICS (mm)



### 2. ELECTRICAL SCHEMATIC



### 3. ELECTRICAL SPECIFICATIONS

Pri input voltage: AC230V, 50Hz

Pri no-load current: 40mA Max

Sec no-load voltage: 11.5VAC ± 10%

Sec load current: 150mA

Sec load voltage: 7.5VAC ± 10%

Insulation resistance: Pri to Sec: 100MΩ, 500VDC

Hi-Pot: Pri to Sec: 3000V/AC, 1mA, 1min

Sec to Core: 1000V/AC, 1mA, 1min



### 4. MATERIAL LIST

NO	ITEMS	MATERIALS	SUPPLIERS	UL.NO
1	BOBBIN	PA66	XIN YI	E41938
2	CORE	Z11	HENG TONG	
3	WIRE	2UEW	SHANG RAO	E229727
4	TAPE	PET	JING JIANG	E246950
5	VARNISH	ET-90	WU JIANG TAI HU	E228349

NAME:	Power Transformer		
CUSTOMER P/N:		DATE:	2011-09-13
SHINHOM P/N:	LPT3508B-230V-7.5V	REV: A0	PAGE
DRAWN BY	CHECKED BY	APPROVE BY	



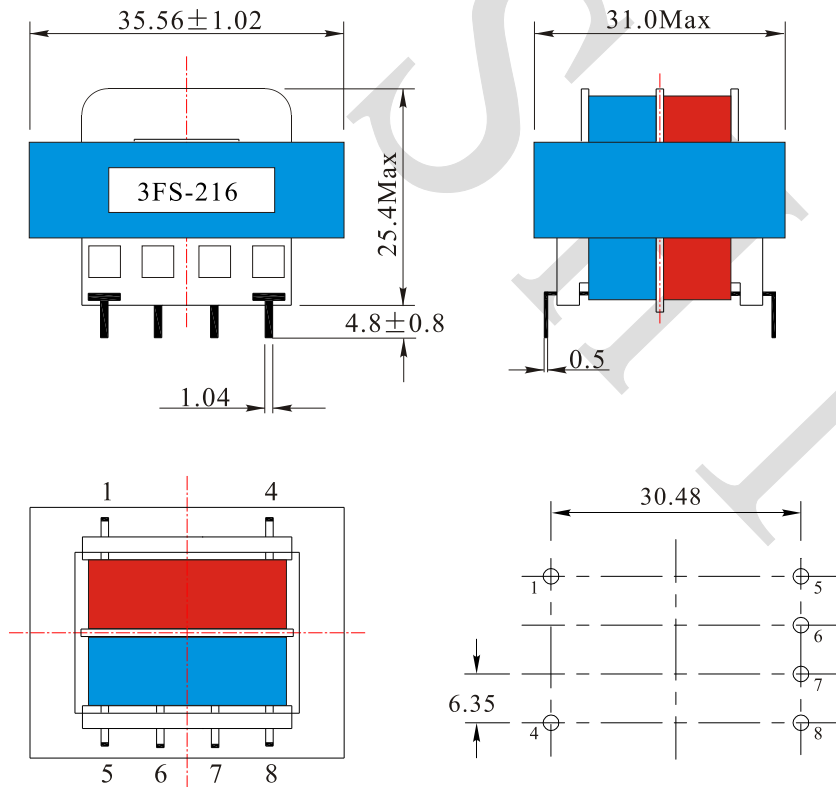
**SHINHOM**

SHAANXISHINHOM ENTERPRISE CO LTD

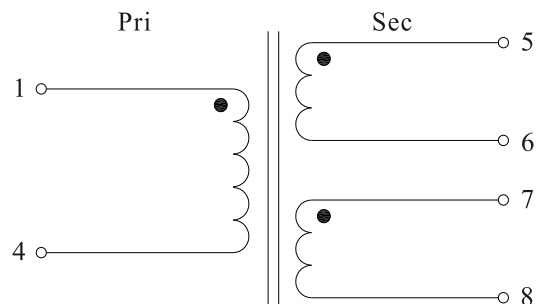
The Document property belong to SHINHOM & is not allowed to be duplicated without authorization

Rev.	Description	Date
A0	New release	2021.08.24

## 1. PHYSICAL CHARACTERISTICS (mm)



## 2. ELECTRONICAL SCHEMATIC



## 3. ELECTRONICAL SPECIFICATIONS @ 25°C

Pri voltage: 115V, 50/60Hz

Parallel connection voltage: 8.0VAC

Parallel connection current: 0.14A

Series connection voltage: 16.0VAC

Series connection current: 0.07A

Series connection voltage with CT: 8.0VAC-CT-8.0VAC

Series connection current with CT: 0.07A

Insulation Resistance:

100MΩ Min @ 500VDC, Pri to Sec Pri to Core

100MΩ Min @ 500VDC, Sec to Core

Hi-Pot: 2500 Vrms 1 minute @ Pri to Sec

1500 Vrms 1 minute @ Coil to Core

500 Vrms 1 minute @ Sec to Sec



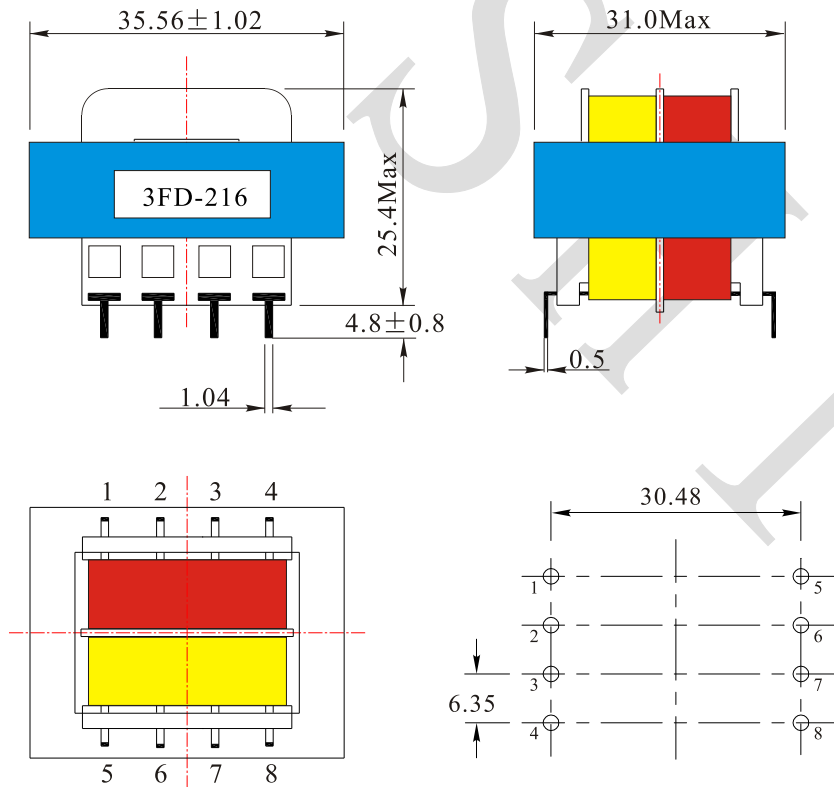
**SHINHOM**  
SHAANXISHINHOM ENTERPRISE CO LTD

The Document property belong to SHINHOM & is not allowed to be duplicated without authorization

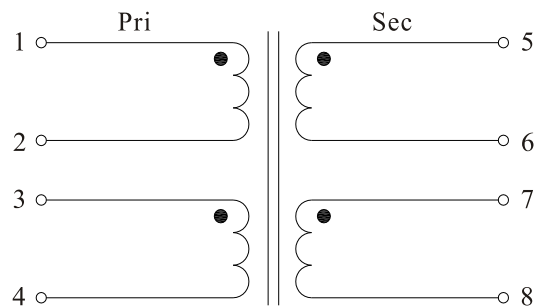
NAME:	linear power transformer		
CUSTOMER P/N:	3FS-216	DATE:	2021-08-24
SHINHOM P/N:	LPT3510S-216	REV:	A0
DRAWN BY	CHECKED BY	APPROVE BY	

Rev.	Description	Date
A0	New release	2021.08.24

## 1. PHYSICAL CHARACTERISTICS (mm)



## 2. ELECTRONICAL SCHEMATIC



## 3. ELECTRONICAL SPECIFICATIONS @25°C

Pri voltage: 115V/230V, 50/60Hz

Parallel connection voltage: 8.0VAC

Parallel connection current: 0.14A

Series connection voltage: 16.0VAC

Series connection current: 0.07A

Series connection voltage with CT: 8.0VAC-CT-8.0VAC

Series connection current with CT: 0.07A

Insulation Resistance:

100MΩ Min @500VDC, Pri to Sec Pri to Core

100MΩ Min @500VDC, Sec to Core

Hi-Pot: 2500 Vrms 1 minute @ Pri to Sec

1500 Vrms 1 minute @ Coil to Core

500 Vrms 1 minute @ Sec to Sec



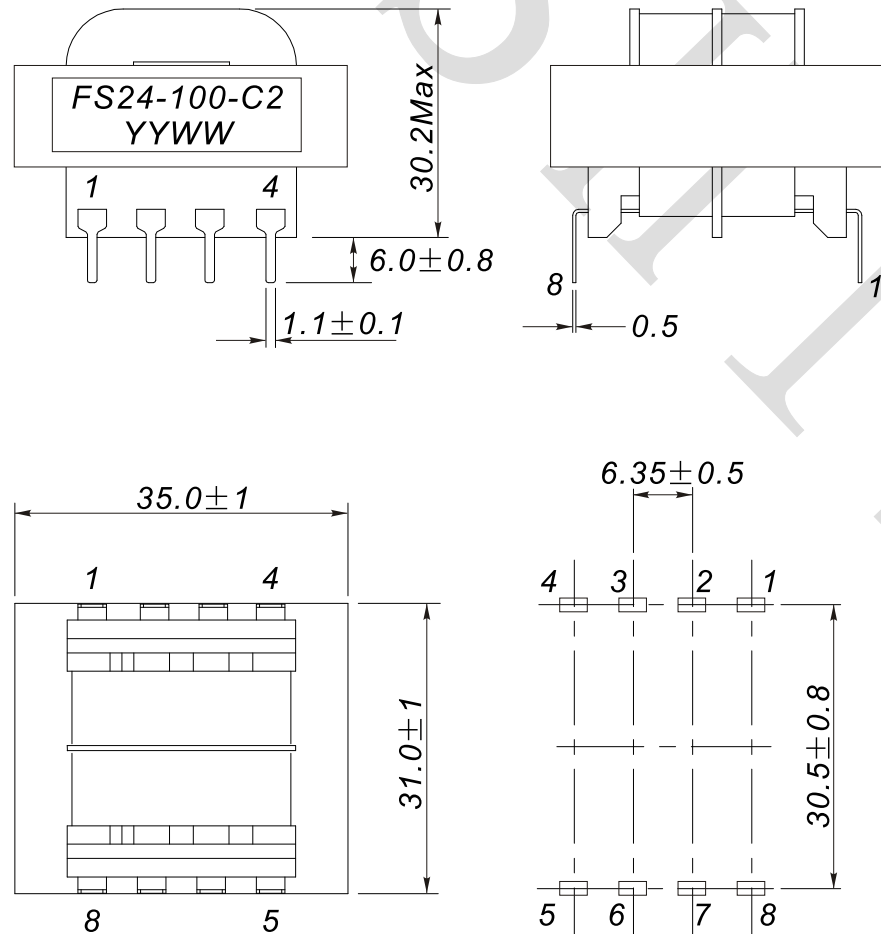
**SHINHOM**  
SHAANXISHINHOM ENTERPRISE CO LTD

The Document property belong to SHINHOM & is not allowed to be duplicated without authorization

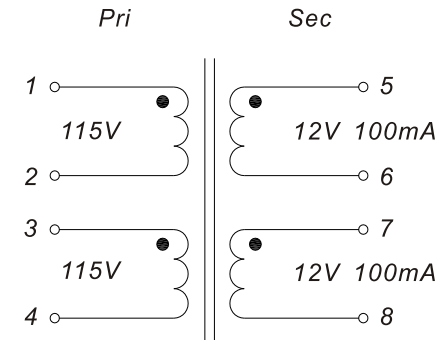
NAME:	linear power transformer		
CUSTOMER P/N:	3FD-216	DATE:	2021-08-24
SHINHOM P/N:	LPT3510D-216	REV: A0	PAGE
DRAWN BY	CHECKED BY	APPROVE BY	

Rev.	Description	Date
A0	New release	2016.04.26

### 1. PHYSICAL CHARACTERISTICS (mm)



### 2. ELECTRONICAL SCHEMATIC



### 3. ELECTRONICAL SPECIFICATIONS @ 25°C

Input Voltage and Frequency: Parallel: 115V  
Series: 230V

Output voltage: 12.0V, 0.1A each

Max power: 2.5VA

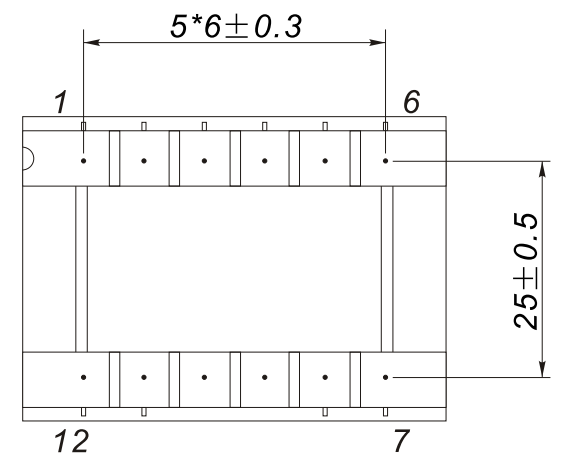
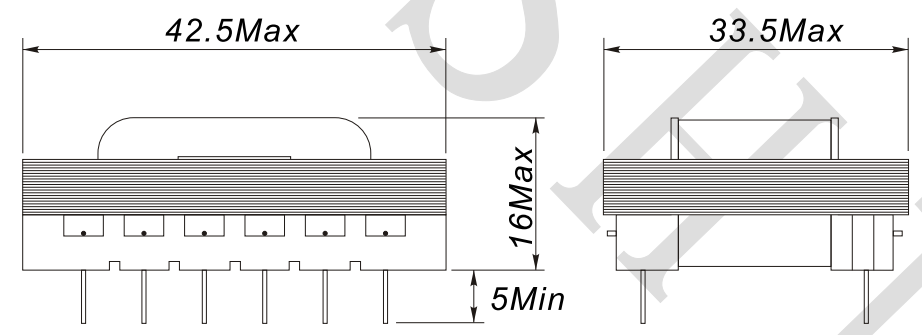
Insulation class: F, 155°C

Hi-Pot: 4200 Vrms @ Pri to Sec  
2160 Vrms @ Sec to Sec

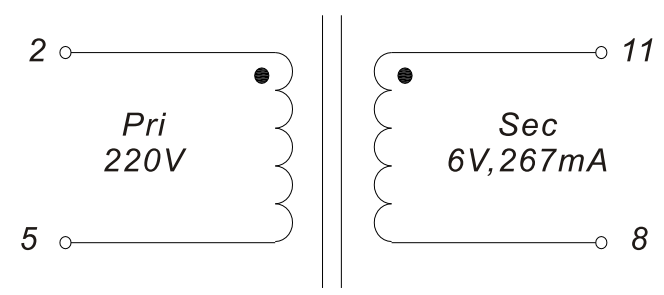
NAME:	Power transformer		
CUSTOMER P/N:	FS24-100-C2	DATE:	2016-04-26
SHINHOM P/N:	LPT3512-230-D12	REV: A0	PAGE
DRAWN BY	CHECKED BY	APPROVE BY	

**RoHS**  
COMPLIANT

1. PHYSICAL CHARACTERISTICS (mm)



2. ELECTRONICAL SCHEMATIC



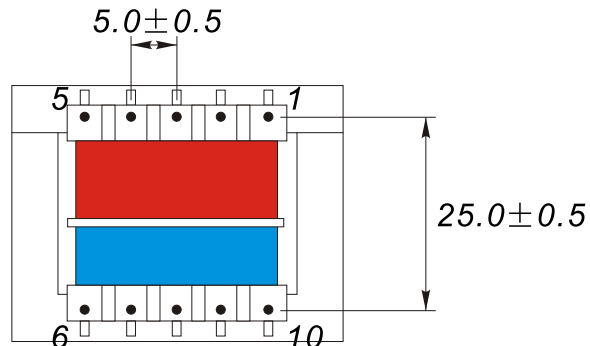
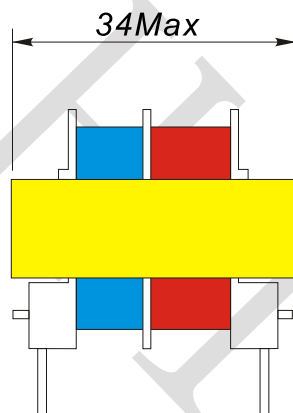
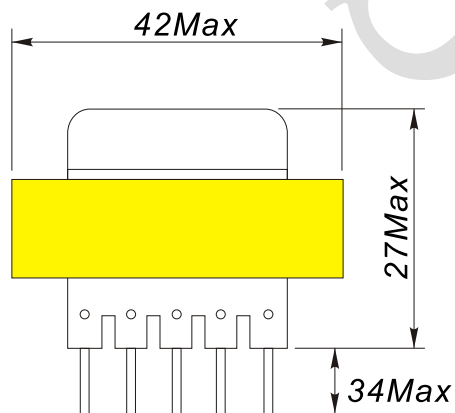
3. ELECTRONICAL SPECIFICATIONS

Input voltage: 220VAC  
 Output voltage: 6V  
 Output current: 267mA  
 Power: 1.6VA

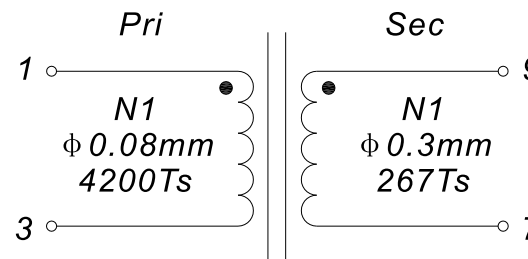
NOTES:  
 Temp 25°C 48%RH  
 RoHS Compliant

NAME:		Power transformer	
CUSTOMER P/N:		DATE:	2011-12-08
SHINHOM P/N:		REV:	A0
		PAGE	
DRAWN BY		CHECKED BY	APPROVE BY

### 1. PHYSICAL CHARACTERISTICS (mm)



### 2. ELECTRONICAL SCHEMATIC



### 3. ELECTRONICAL SPECIFICATIONS

Pri: 230V, 50Hz, 35mA Max

Sec: Full Load voltage: 10Vac ± 5% @ 500mA

No load voltage: 15Vac

DCR: Pri: 1000Ω ± 15%

Sec: 4.65Ω ± 15%

Insulation resistance: 100MΩ, DC500V

Isolation voltage: Pri to Sec: 4000VAC, 5mA, 2S

Pri to Core: 4000VAC, 5mA, 2S

Sec to Core: 500VAC, 5mA, 2S

Test Instrument:

L: HP4284A

RDC: HM2540

#### NOTES:

Temp 20°C 48%RH

RoHS Compliant

NAME:	Transformer		
CUSTOMER P/N:		DATE:	2011-07-15
SHINHOM P/N:	LPT4112-230-10	REV: A0	PAGE
DRAWN BY	CHECKED BY	APPROVE BY	



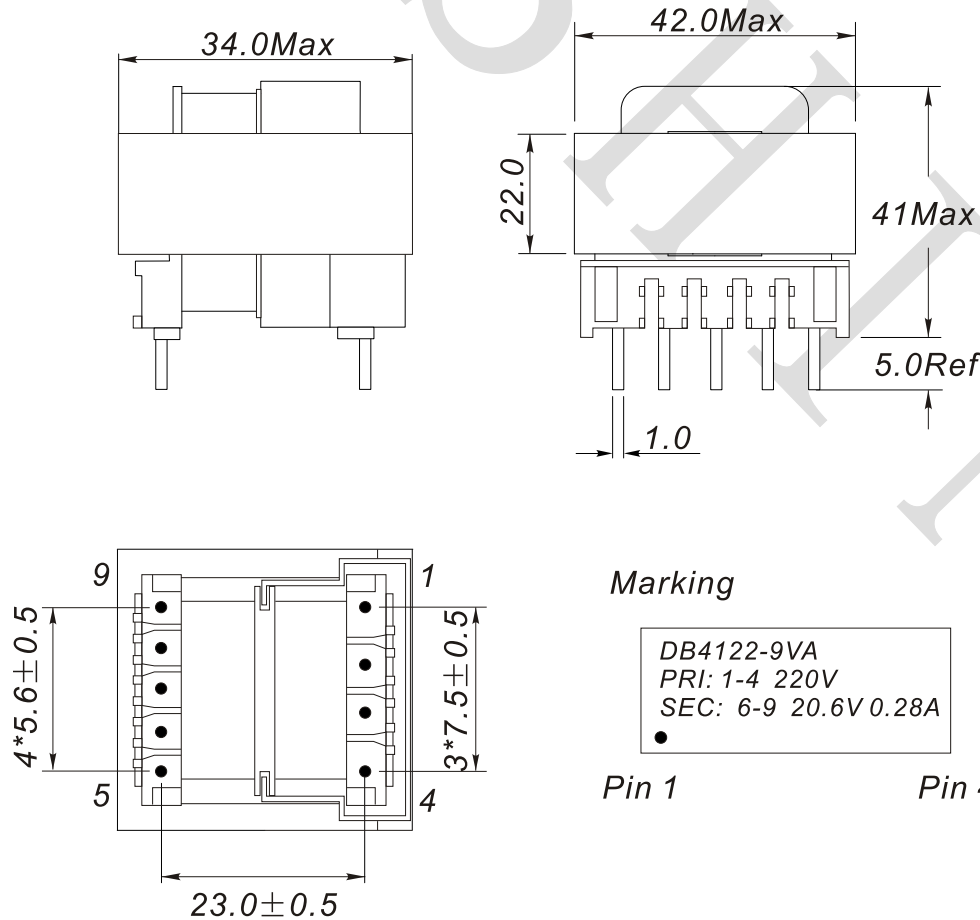
**SHINHOM**

SHAANXISHINHOM ENTERPRISE CO LTD

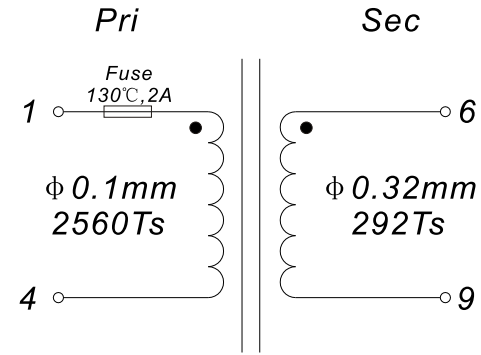
The Document property belong to SHINHOM & is not allowed to be duplicated without authorization



### 1. PHYSICAL CHARACTERISTICS (mm)



### 2. ELECTRONICAL SCHEMATIC



### 3. ELECTRONICAL SPECIFICATIONS

- Unload current: 15mA
- Rated voltage: Pin6-9: 20.4~21V@0.28A
- Power: 9VA
- Hi-Pot: 2KVAC, 3S, 5mA Pri to Sec
- 2KVAC, 3S, 5mA Pri to Core
- 1.0KVAC, 3S, 5mA Sec to Core

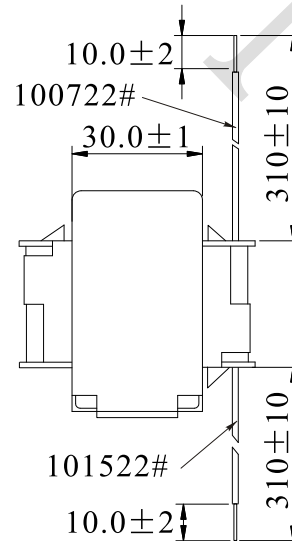
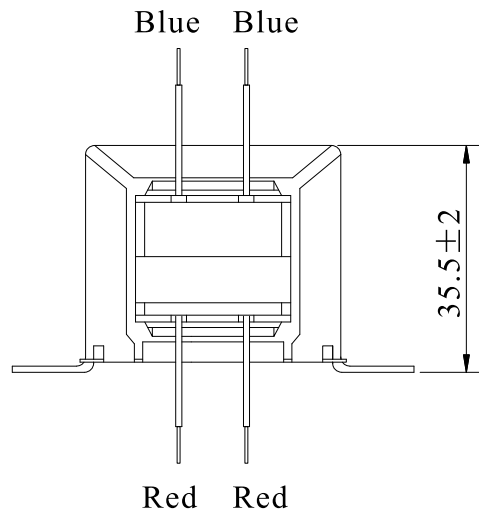
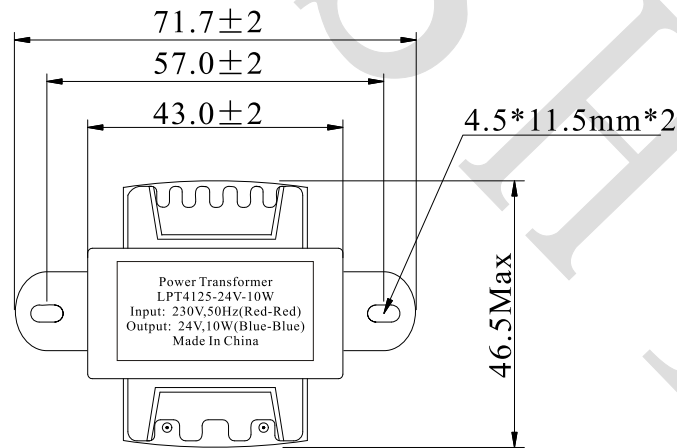
#### NOTES:

Temp 20°C 48%RH  
 RoHS Compliant

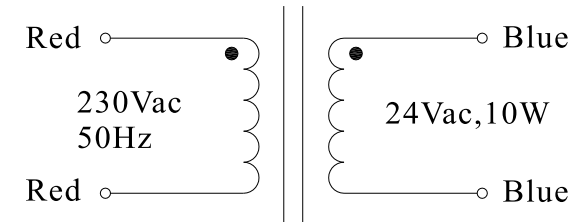
NAME:	Power Transformer		
CUSTOMER P/N:		DATE:	2013-07-18
SHINHOM P/N:	LPT4122-9W-21V	REV:	A0 PAGE
DRAWN BY	CHECKED BY	APPROVE BY	

Rev.	Description	Date
A0	New release	2023.03.20

### 1. PHYSICAL CHARACTERISTICS( mm)



### 2. ELECTRONICAL SCHEMATIC



### 3. ELECTRONICAL SPECIFICATIONS

- Pri rated voltage: 230Vac,50Hz
- Pri no load current: 35mA Max
- Sec load voltage: 24Vac±5%@417mA
- Sec no load voltage: 28Vac±5%
- Hi-Pot: 2000KV,50Hz,1mA,5S. Pri to Sec
- Storage temperature: -5°C to +60°C
- Operating temperature: -5°C to +85°C

NAME:	Power Transformer		
CUSTOMER P/N:		DATE:	2023-03-20
SHINHOM P/N:	LPT4125-24V-10W	REV: A0	PAGE
DRAWN BY	CHECKED BY	APPROVE BY	



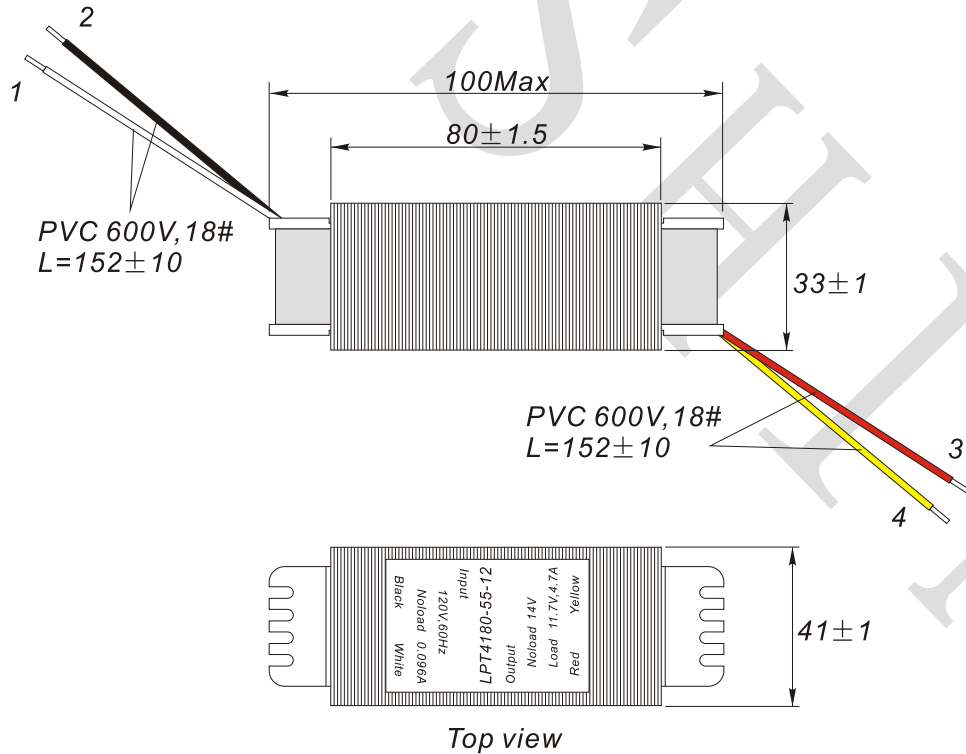
**SHINHOM**

SHAANXISHINHOM ENTERPRISE CO LTD

The Document property belong to SHINHOM & is not allowed to be duplicated without authorization

Rev.	Description	Date
A0	New release	2016.01.23

### 1. PHYSICAL CHARACTERISTICS (mm)



### 3. ELECTRONICAL SPECIFICATIONS

Input: 120V, 60Hz

Noload input current: 0.096A

Noload output voltage: 14V

Load output voltage: 11.7V

Load output current: 4.7A

Noload loss: 1.78W

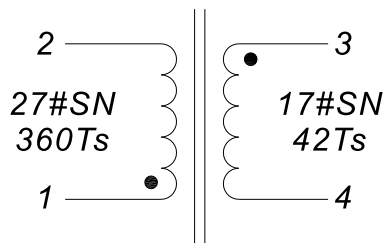
DCR: Pin1-2:  $18.5\Omega \pm 15\%$

Pin3-4:  $0.4\Omega \pm 15\%$

Hi-Pot: 2500Vrms, 3S Pri to Sec

1500Vrms, 3S Coil to Core

### 2. ELECTRONICAL SCHEMATIC



NAME:	Linear power Transformer		
CUSTOMER P/N:		DATE:	2016-01-23
SHINHOM P/N:	LPT4180-55-12	REV: A0	PAGE
DRAWN BY	CHECKED BY	APPROVE BY	



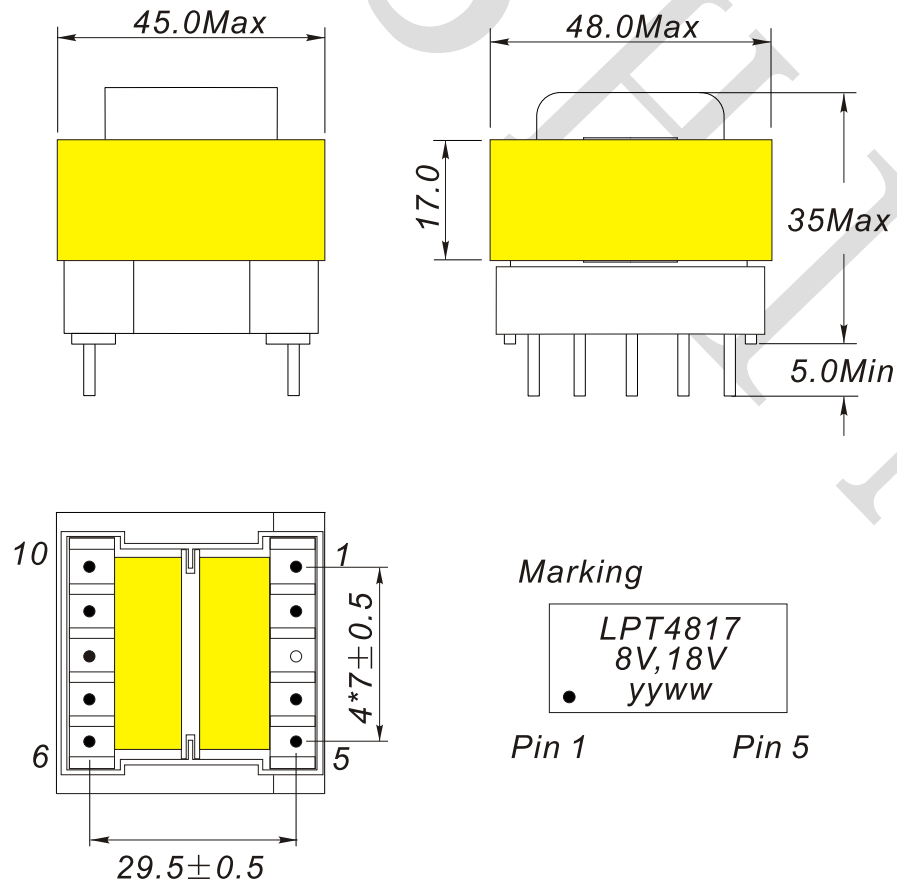
**SHINHOM**

SHAANXISHINHOM ENTERPRISE CO LTD

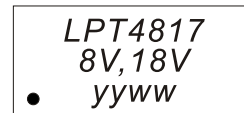
TEL: +86-029-87851838  
 FAX: +86-029-87851840  
 ZIP: 710054  
 Http://www.shinhom.com  
 E-mail: shinhom@globalsources.com  
 sales@shinhom.com.cn  
 NO. 8, Yanta Northern Road, Xi'an Shaanxi Pro. China

Rev.	Description	Date
A0	New release	2016.01.08

### 1. PHYSICAL CHARACTERISTICS (mm)



#### Marking



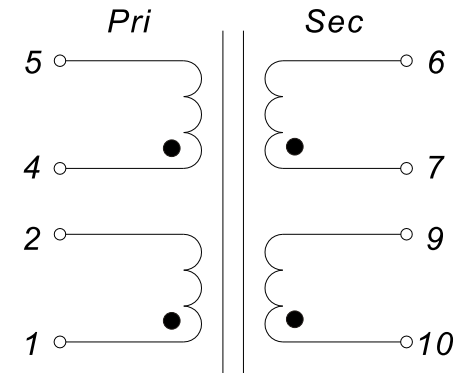
Pin 1                      Pin 5

Cut off pin 3

#### NOTES:

Temp 20°C 48%RH  
RoHS Compliant

### 2. ELECTRONICAL SCHEMATIC



### 3. ELECTRONICAL SPECIFICATIONS

Pri voltage: Pin(1-2): 115V, 50Hz

Pin(1-5): 230V, 50Hz (Short pin 2, 4)

Sec no load voltage: Pin(7-6): 9.5V ± 5%

Pin(10-9): 19.5V ± 5%

Sec load voltage: Pin(7-6): 8V ± 5% @ 0.2A Load

Pin(10-9): 18V ± 5% @ 0.4A Load

Hi-Pot: 3000Vrms, 3mA, 2S Pri to Sec

2000Vrms, 3mA, 2S Coil to Core

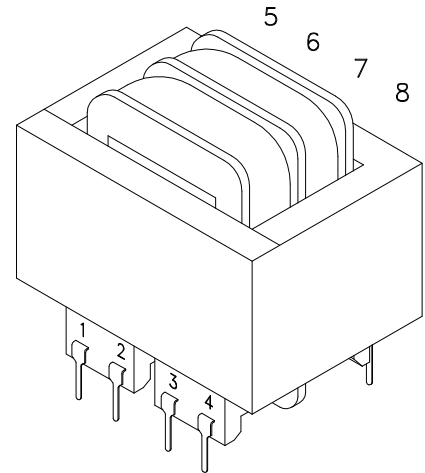
NAME:	Linear power Transformer		
CUSTOMER P/N:		DATE:	2016-01-08
SHINHOM P/N:	LPT4817-9W-0818	REV:	A0
DRAWN BY:	CHECKED BY:	APPROVE BY:	PAGE

# THREE FLANGE DUAL PRIMARY 6.0VA PC BOARD POWER TRANSFORMER



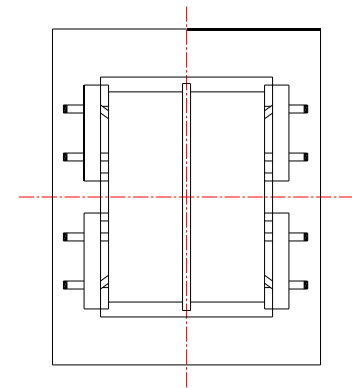
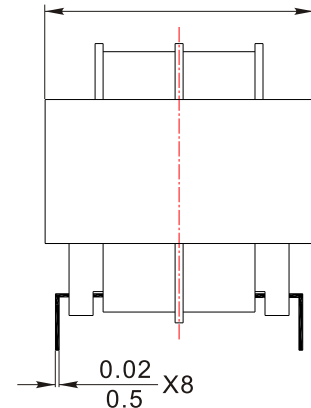
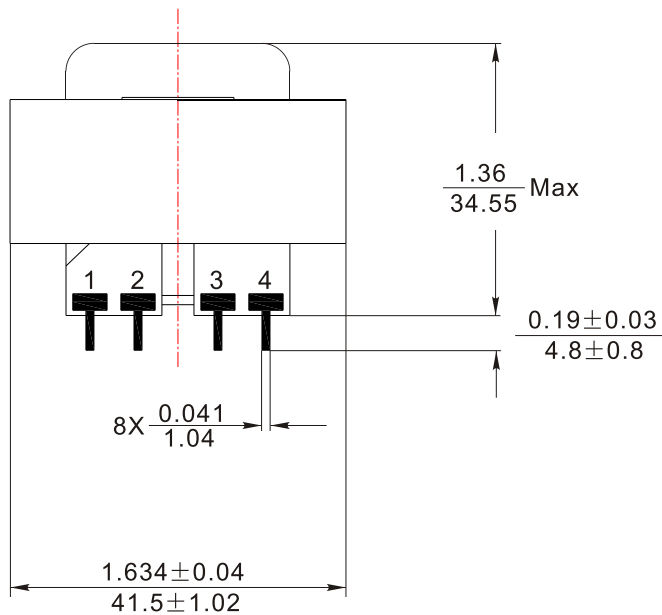
## A. Electrical Specifications(@25°C)

1. Maximum Power:6.0VA
2. Input Voltage and Frequency:115/230V 50/60Hz
3. Secondary Voltage:See Table A
4. Voltage Regulation:18% TYP @ full load to no load
5. Temperature Rise:35°C TYP (45°C Max allowed)
6. Insulation Resistance:
  - 100M $\Omega$  Min @500VDC, Pri to Sec Pri to Core
  - 100M $\Omega$  Min @500VDC, Sec to Core
7. Hi-Pot:2500 Vrms 1 minute @ Pri to Sec
  - 1500 Vrms 1 minute @ Pri to Core
  - 1500 Vrms 1 minute @ Sec to Core
  - 500 Vrms 1 minute @ Sec to Sec



- ## B. Marking:SHINHOM P/N (see sheet 2).
- date code, country of origin, safety logos and input and output ratings

## C. Mechanical Specifications:



TEL:+86-029-87851838  
 FAX:+86-029-87851840  
 ZIP:710054  
 Http://www.shinhom.com  
 E-mail: sales@shinhom.com.cn  
 No.8,Yanta Northern Road,Xi'an ShaanxiPro.China



**SHINHOM**

SHANHSHINHOM ENTERPRISE CO LTD

SHINHOM P/N: LPT4818-50XX

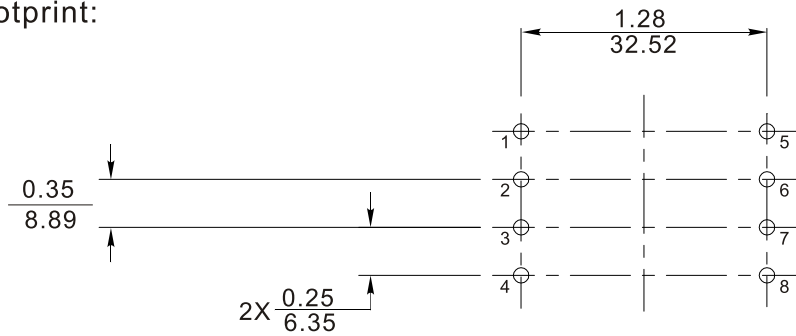
REV: A0 PAGE

DRAWN BY

CHECKED BY

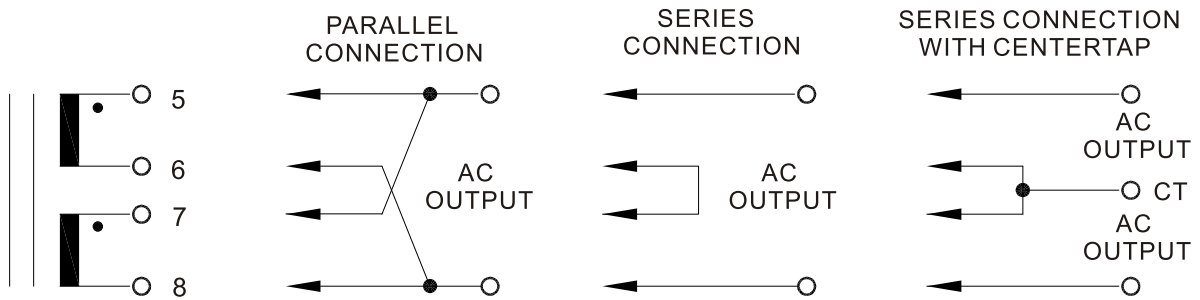
APPROVE BY

D. Mounting Footprint:



E. Connection Diagram:

PRIMARY INPUT CONNECTIONS



F. Table A:(NOTE: all parts are dual marked with both part numbers)

SHINHOM PART NO.	PARALLEL CONNECTION		SERIES CONNECTION		SERIES CONNECTION WITH CT	
	AC COLTS	RMS AMPS	AC VOLTS	RMS AMPS	AC VOLTS	RMS AMPS
LPT4818-5010	5.0	1.20	10.0	0.60	5.0 - CT - 5.0	0.60
LPT4818-5012	6.3	1.00	12.6	0.50	6.3 - CT - 6.3	0.50
LPT4818-5016	8.0	0.80	16.0	0.40	8.0 - CT - 8.0	0.40
LPT4818-5020	10.0	0.60	20.0	0.30	10.0 - CT - 10.0	0.30
LPT4818-5024	12.0	0.50	24.0	0.25	12.0 - CT - 12.0	0.25
LPT4818-5028	14.0	0.40	28.0	0.20	14.0 - CT - 14.0	0.20
LPT4818-5036	18.0	0.34	36.0	0.17	18.0 - CT - 18.0	0.17
LPT4818-5048	24.0	0.25	48.0	0.125	24.0 - CT - 24.0	0.125
LPT4818-5056	28.0	0.22	56.0	0.11	28.0 - CT - 28.0	0.11
LPT4818-50120	60.0	0.10	120.0	0.05	60.0 - CT - 60.0	0.05

TEL:+86-029-87851838  
 FAX:+86-029-87851840  
 ZIP:710054  
 Http://www.shinhom.com  
 E-mail: sales@shinhom.com.cn  
 No.8,Yanta Northern Road,Xi'an ShaanxiPro.China



SHINHOM P/N: LPT4818-50XX

REV: A0 PAGE

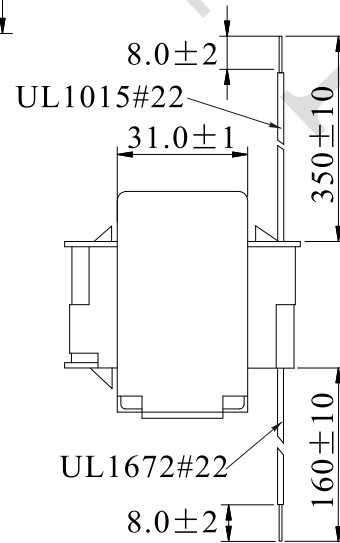
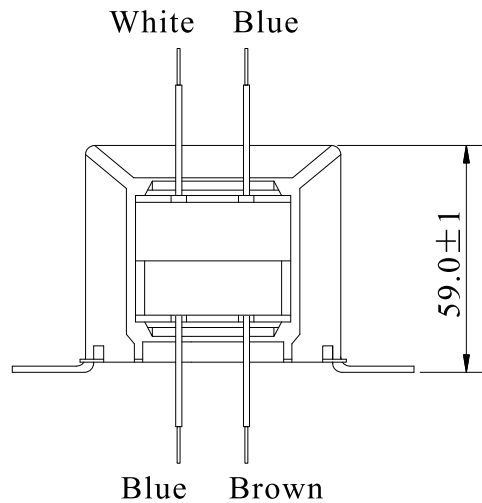
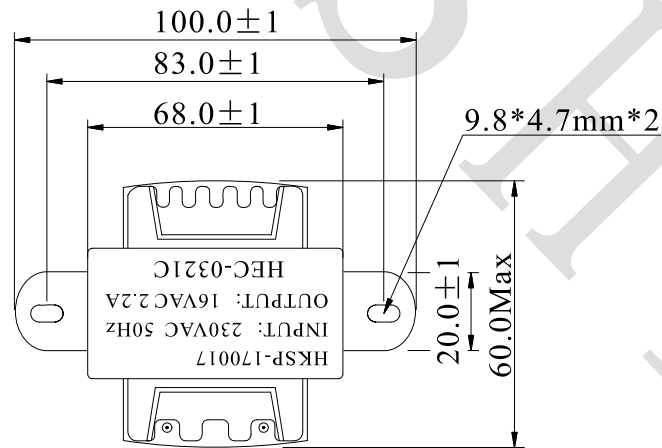
DRAWN BY

CHECKED BY

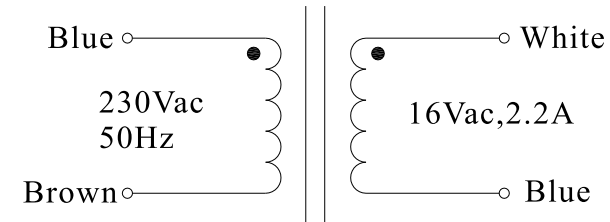
APPROVE BY

Rev.	Description	Date
A0	New release	2021.12.03

### 1. PHYSICAL CHARACTERISTICS (mm)



### 2. ELECTRONICAL SCHEMATIC



### 3. ELECTRONICAL SPECIFICATIONS

- Pri rated voltage: 230Vac, 50Hz
- Pri exciting current: 230Vac, 50Hz, 90mA Max
- Sec rated voltage: 16Vac ± 5%
- Sec rated current: 2.2A
- Sec no-load voltage: 19.5Vac Max
- Hi-Pot: 3.75KV, 50Hz, 1mA, 1min. Pri to Sec, Core  
1.25KV, 50Hz, 1mA, 1min. Sec to Core
- Insulation test: 500Vdc, 100MΩ Min Pri to Sec, Core
- Storage temperature: -5°C to +60°C
- Operating temperature: -5°C to +85°C

NAME:	Transformer		
CUSTOMER P/N:	HKSP-170017	DATE:	2021-12-03
SHINHOM P/N:	LPT6628-16V-35W	REV:	A0
DRAWN BY	CHECKED BY	APPROVE BY	

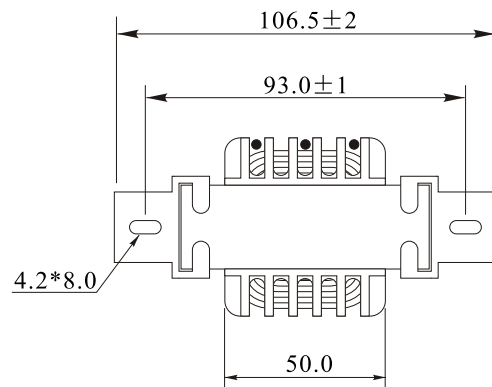
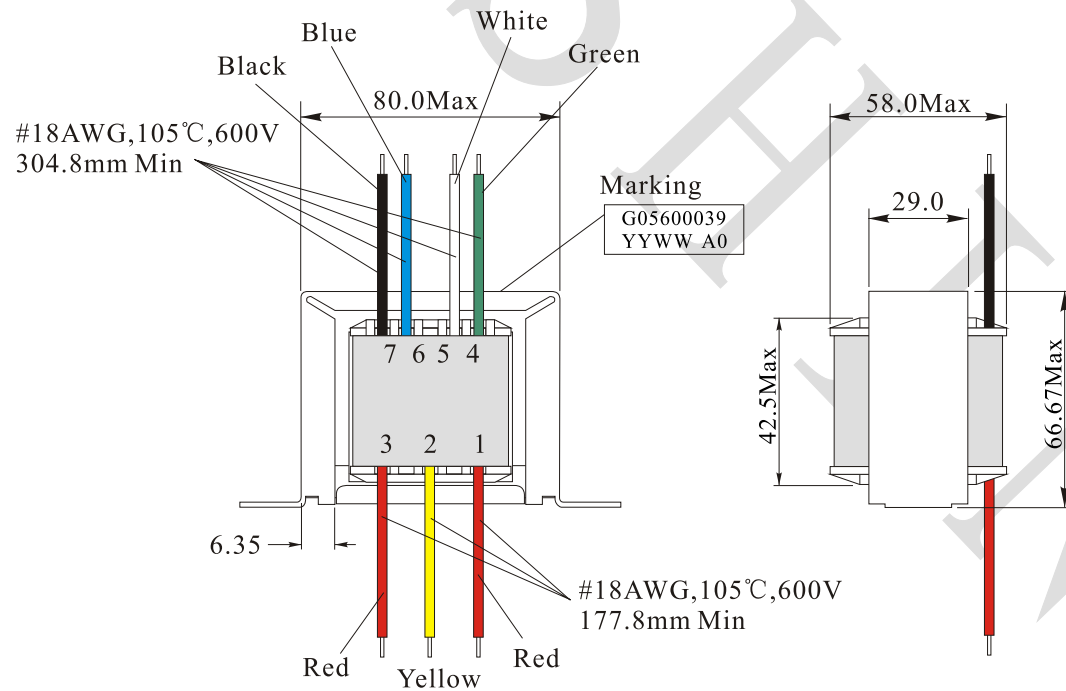


**SHINHOM**

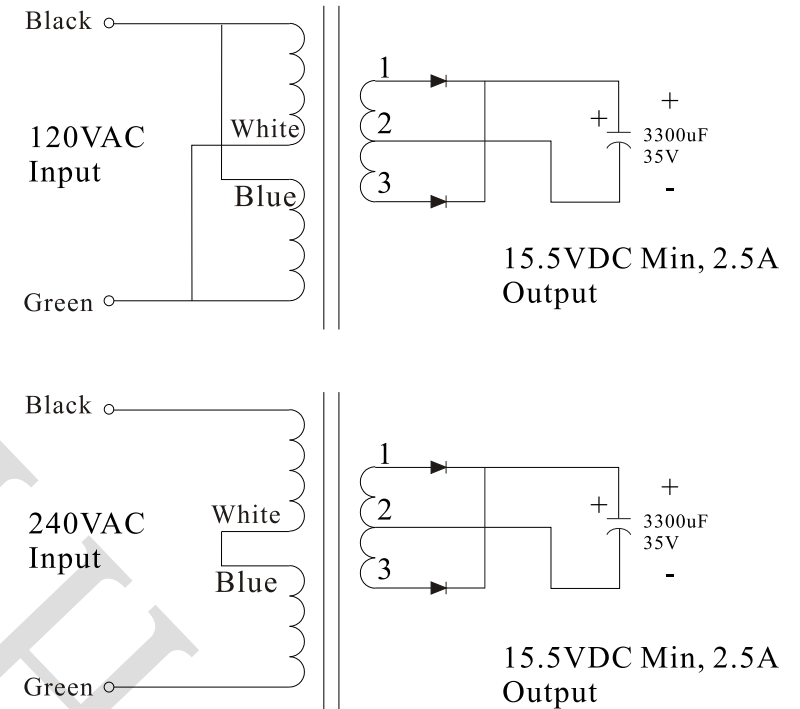
SHAANXISHINHOM ENTERPRISE CO LTD

The Document property belong to SHINHOM & is not allowed to be duplicated without authorization

## 1. PHYSICAL CHARACTERISTICS( mm)



## 2. TEST CIRCUIT



## 3. ELECTRICAL SPECIFICATIONS

Input voltage: 120VAC/240VAC, 50/60Hz

Output voltage: 33.8Vrms, 1.75A

Hi-Pot: 1500Vac, 60Hz Pri to Sec

1500Vac, 60Hz Pri to Clip

NAME:		120V/240V Power transformer	
CUSTOMER P/N:	G05600039	DATE:	2021-08-24
SHINHOM P/N:	LPT8058-60	REV:	A0
DRAWN BY	CHECKED BY	APPROVE BY	



**SHINHOM**  
SHAANXISHINHOM ENTERPRISE CO LTD

The Document property belong to SHINHOM & is not allowed to be duplicated without authorization