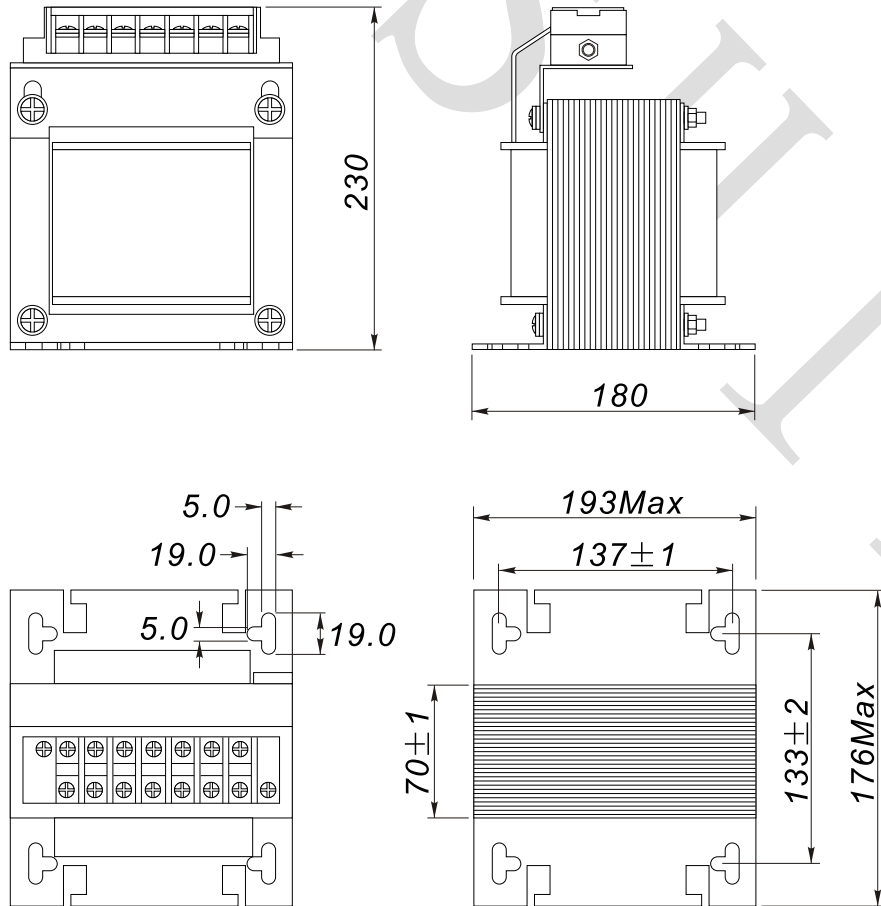
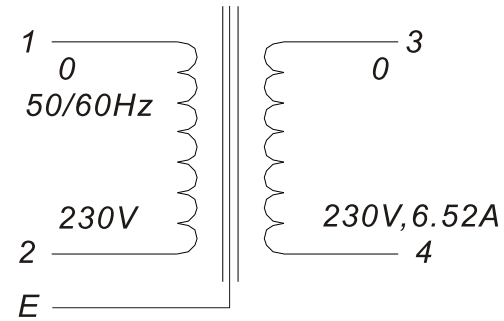


1. PHYSICAL CHARACTERISTICS (mm)



2. ELECTRONICAL SCHEMATIC



3. ELECTRONICAL SPECIFICATIONS

Pri rated voltage: 230 VAC 50/60 Hz

Sec rated voltage: 230 V±5%

Sec no load voltage: 237V±5%

Exciting current: 650mA Max@ Input 230V,50Hz

Hi-Pot test: AC 1.5kV 50Hz for 60S

between Primary to core & secondary

AC 0.83kV 50Hz for 60S between secondary to core

Insulation test: DC500V10MO min

Between winding and between winding & core

Insulation class: Class B(130°C)

NOTES:

Temp 20°C 48%RH

RoHS Compliant

NAME:	Transformer		
CUSTOMER P/N:		DATE:	2013-04-12
SHINHOM P/N:	LPT19270-1500	REV: A0	PAGE
DRAWN BY	CHECKED BY	APPROVE BY	



SHINHOM

SHAANXISHINHOM ENTERPRISE CO LTD

TEL:+86-029-87851838
 FAX:+86-029-87851840
 ZIP:710054
 Http://www.shinhom.com
 E-mail:shinhom@globalsources.com
 sales@shinhom.com.cn
 NO. 8. Yanta Northern Road, Xi'an ShaanxiPro.China